

Rack Installation Guide

Guide d'installation du rack

Rack-Installationsanleitung

ラック取り付けガイド

Guía de instalación del rack

Rack Installation Guide

Notes, Notices, and Cautions



NOTE: A NOTE indicates important information that helps you make better use of your computer.



NOTICE: A NOTICE indicates either potential damage to hardware or loss of data and tells you how to avoid the problem.



CAUTION: A CAUTION indicates a potential for property damage, personal injury, or death.

Information in this document is subject to change without notice.

© 2005 Dell Inc. All rights reserved.

Reproduction in any manner whatsoever without the written permission of Dell Inc. is strictly forbidden.

Trademarks used in this text: *RapidRails* and *VersaRails* are trademarks of Dell Inc.

Other trademarks and trade names may be used in this document to refer to either the entities claiming the marks and names or their products. Dell Inc. disclaims any proprietary interest in trademarks and trade names other than its own.

Contents

CAUTION: Safety Instructions	5
SAFETY: Rack Mounting of Systems	5
General Installation Instructions	6
Before You Begin	6
Installation Tasks	7
Recommended Tools and Supplies	7
Rack Kit Contents	8
Removing the Rack Doors	9
Marking the Rack	9
Configuring the Sliding Rail Assemblies	11
Installing the Mounting Rails in the Rack	12
Installing the RapidRails	12
Installing the VersaRails	13
Installing the System in the Rack	15
Cable Management	16
Attaching the Cable Tray	16
Attaching the Cable-Management Arm	17
Attaching the System Status-Indicator Cable	18
Routing Cables	18
Attaching the Cable-Management Arm Retainer	20
Replacing the Rack Doors	20


CAUTION: Safety Instructions


Use the following safety guidelines to ensure your own personal safety and to help protect your system and working environment from potential damage. For complete safety and regulatory information, see the *Product Information Guide* that shipped with your system. Warranty information might be included in this document or as a separate document.


SAFETY: Rack Mounting of Systems

Observe the following precautions for rack stability and safety. Also refer to the rack installation documentation accompanying the system and the rack for specific caution statements and procedures.


Systems are considered to be components in a rack. Thus, "component" refers to any system as well as to various peripherals or supporting hardware.

 **CAUTION: Before installing systems in a rack, install front and side stabilizers on stand-alone racks or the front stabilizer on racks joined to other racks. Failure to install stabilizers accordingly before installing systems in a rack could cause the rack to tip over, potentially resulting in bodily injury under certain circumstances. Therefore, always install the stabilizer(s) before installing components in the rack.**

 **CAUTION: After installing system/components in a rack, never pull more than one component out of the rack on its slide assemblies at one time. The weight of more than one extended component could cause the rack to tip over and may result in serious injury.**

 **NOTE:** Your system is safety-certified as a free-standing unit and as a component for use in a Dell rack cabinet using the customer rack kit. The installation of your system and rack kit in any other rack cabinet has not been approved by any safety agencies. It is your responsibility to ensure that the final combination of system and rack complies with all applicable safety standards and local electric code requirements. Dell disclaims all liability and warranties in connection with such combinations.

- System rack kits are intended to be installed in a rack by trained service technicians. If you install the kit in any other rack, be sure that the rack meets the specifications of a Dell rack.


 **CAUTION: Do not move racks by yourself. Due to the height and weight of the rack, a minimum of two people should accomplish this task.**

- Before working on the rack, make sure that the stabilizers are secured to the rack, extended to the floor, and that the full weight of the rack rests on the floor. Install front and side stabilizers on a single rack or front stabilizers for joined multiple racks before working on the rack.
- Always load the rack from the bottom up, and load the heaviest item in the rack first.
- Make sure that the rack is level and stable before extending a component from the rack.
- Use caution when pressing the component rail release latches and sliding a component into or out of a rack; the slide rails can pinch your fingers.
- Do not overload the AC supply branch circuit that provides power to the rack. The total rack load should not exceed 80 percent of the branch circuit rating.
- Ensure that proper airflow is provided to components in the rack.
- Do not step on or stand on any component when servicing other components in a rack.


General Installation Instructions

This installation guide provides instructions for trained service technicians installing one or more systems in an open-frame relay rack or in a rack cabinet. The RapidRails™ rack kit can be installed without tools in manufacturer's rack cabinets that have square holes; the VersaRails™ rack kit can be installed in most industry-standard rack cabinets that have square or round holes. The procedures for installing both RapidRails and VersaRails rack kits are similar. One rack kit is required for each system installed in the rack.

 **CAUTION:** Do not install rack kit components designed for another system. Use only the rack kit for your system. Using the rack kit for another system may result in damage to the system and personal injury.

 **NOTE:** If your system is a tower version, you must install a tower-to-rack kit. Instructions for installing this kit are included in a separate document.


The RapidRails rack kit can be installed in most industry-standard rack cabinets.

 **NOTICE:** The VersaRails rack kit is intended to be installed by trained service technicians in a rack that meets the specifications of American National Standards Institute (ANSI)/Electronic Industries Association (EIA) standard ANSI/EIA-310-D-92, International Electrotechnical Commission (IEC) 297, and Deutsche Industrie Norm (DIN) 41494. One rack kit is required for each system that is installed in a rack.

Before You Begin


Before you begin installing your system in the rack, carefully read "CAUTION: Safety Instructions" on page 5, as well as the safety instructions found in your *Product Information Guide* for additional information.

 **CAUTION:** When installing multiple systems in a rack, complete all of the procedures for the current system before attempting to install the next system.


 **CAUTION:** Rack cabinets can be extremely heavy and move easily on the casters. The cabinet has no brakes. Use extreme caution while moving the rack cabinet. Retract the leveling feet when relocating the rack cabinet. Avoid long or steep inclines or ramps where loss of cabinet control may occur. Extend the leveling feet for support and to prevent the cabinet from rolling.


Important Safety Information

Observe the safety precautions in the following subsections when installing your system in the rack.

 **CAUTION:** You must strictly follow the procedures in this document to protect yourself as well as others who may be involved. Your system may be very large and heavy, and proper preparation and planning are important to prevent injury to yourself and to others. This becomes increasingly important when systems are installed high up in the rack.

Rack Stabilizer Feet

 **CAUTION:** Before installing systems in a rack, install front and side stabilizers on stand-alone racks or the front stabilizer on racks joined to other racks. Failure to install stabilizers accordingly before installing systems in a rack could cause the rack to tip over, potentially resulting in bodily injury under certain circumstances. Therefore, always install the stabilizer(s) before installing components in the rack.

 **CAUTION:** After installing system/components in a rack, never pull more than one component out of the rack on its slide assemblies at one time. The weight of more than one extended component could cause the rack to tip over and may result in serious injury.

The stabilizer feet help prevent the rack from tipping over when a system or other component is pulled out of the rack with the slide assemblies fully extended. See the documentation provided with the rack cabinet for instructions on installing and anchoring the stabilizer feet.

Installation Tasks

Installing a rack kit involves performing the following tasks (described in detail in subsequent sections) in their numbered order:

- 1 Removing the rack doors (if necessary)
- 2 Marking the rack (if necessary)
- 3 Configuring the sliding rail assemblies
- 4 Installing the mounting rails in the rack
 - RapidRails installation
 - VersaRails installation
- 5 Installing the system in the rack
- 6 Attaching the cable tray
- 7 Attaching the cable-management arm
- 8 Routing cables
- 9 Attaching the cable-management arm retainer
- 10 Replacing the rack doors (if necessary)

Recommended Tools and Supplies

- A #2 Phillips screwdriver (VersaRails only)
- Masking tape or a felt-tipped pen for marking the mounting holes to be used
- A measuring ruler or tape measure

Rack Kit Contents

The rack kit includes the following items (see Figure 1-1):

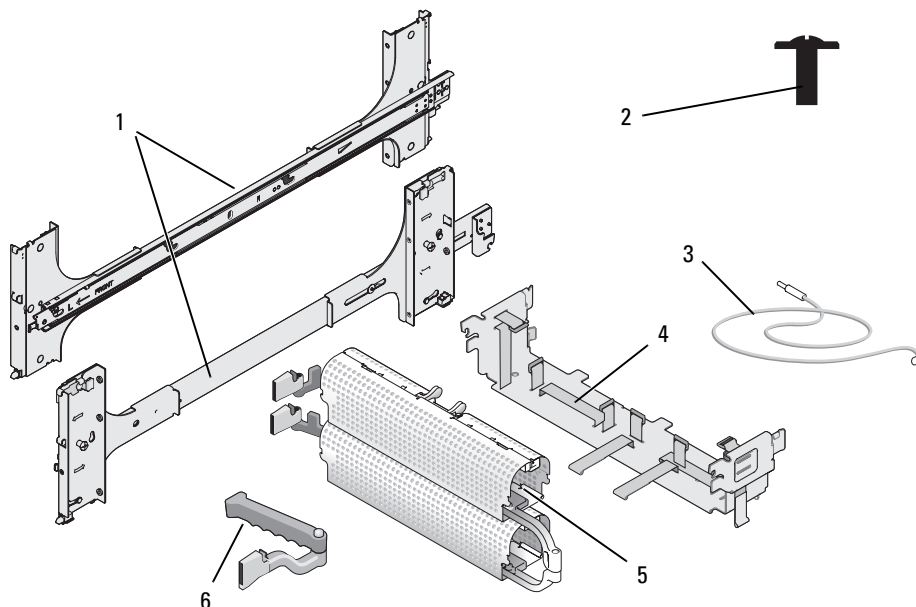
- One pair of mounting rails with rotating brackets

NOTE: You can configure the sliding rail assemblies as either RapidRails or VersaRails using the rotating brackets.

- One cable tray
- One cable-management arm
- One cable-management arm retainer
- One status indicator cable (if applicable)
- Eight 10-32 x 0.5-inch flange-head Phillips screws

NOTE: The nonmetric screws described in illustrations and in procedural steps are identified by size and number of threads per inch. For example, a #10 Phillips-head screw with 32 threads per inch is identified as a 10-32 screw.

Figure 1-1. Rack Kit Contents



1	mounting rails	2	10-32 x 0.5-inch flange-head Phillips screws (8) (VersaRails only)	3	status indicator cable (if applicable)
4	cable tray and tie-wraps	5	cable-management arm	6	cable-management arm retainer

Removing the Rack Doors

See the procedures for removing doors in the documentation provided with your rack cabinet.

⚠ CAUTION: Because of the size and weight of the rack cabinet doors, never attempt to remove or install them by yourself.

⚠ CAUTION: Store the two doors where they will not injure someone if the doors accidentally fall over.

Marking the Rack

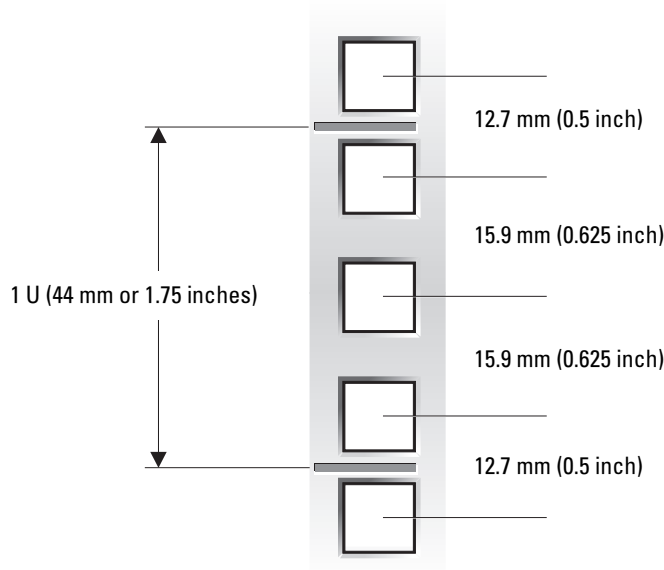
For a 5-U system, you must allow 5 U (8.75 inches) of vertical space for each system you install in the rack (see Figure 1-2).

Rack cabinets that meet EIA-310 standards have an alternating pattern of three holes per rack unit with center-to-center hole spacing (beginning at the top hole of a 1-U space) of 15.9 mm, 15.9 mm, and 12.7 mm (0.625 inch, 0.625 inch, and 0.5 inch) for the front and back vertical rails (see Figure 1-2). Rack cabinets may have round or square holes.

✏ NOTE: The vertical rails may be marked by horizontal lines and numbers in 1-U increments. If you want, you can make a note of the number marking on the rack's vertical rail. It is not necessary to mark or place tape on the rack.

✏ NOTE: Your rack may already be marked and not require this procedure.

Figure 1-2. One Rack Unit



⚠ CAUTION: If you are installing more than one system, install the sliding rail assemblies so that the first system is installed in the lowest available position in the rack.

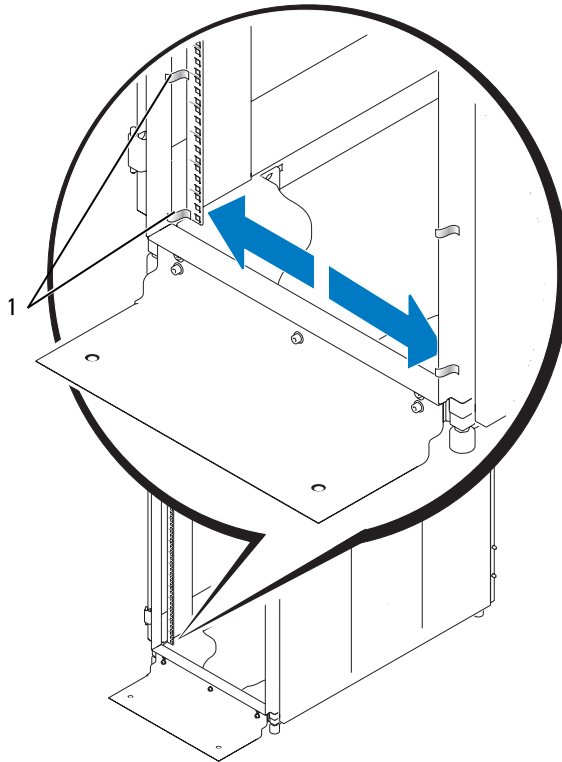
To mark the rack, perform the following steps:

- 1 Place a mark on the rack's front vertical rails where you want to locate the bottom of the system you are installing in the rack cabinet.

The bottom of each 1-U space is at the middle of the narrowest metal area between holes (marked with a horizontal line on some rack cabinets—see Figure 1-3).

- 2 Place a mark approximately 8.75 inches above the original mark you made (or count up 15 holes in a rack that meets EIA-310 standards) and mark the rack's front vertical rails with a felt-tipped pen or masking tape (if you counted holes, place a mark just above the top hole). This mark or piece of tape indicates where the system's upper edge will be located on the vertical rails (see Figure 1-3).

Figure 1-3. Marking the Vertical Rails



1 tape on vertical rail

Configuring the Sliding Rail Assemblies

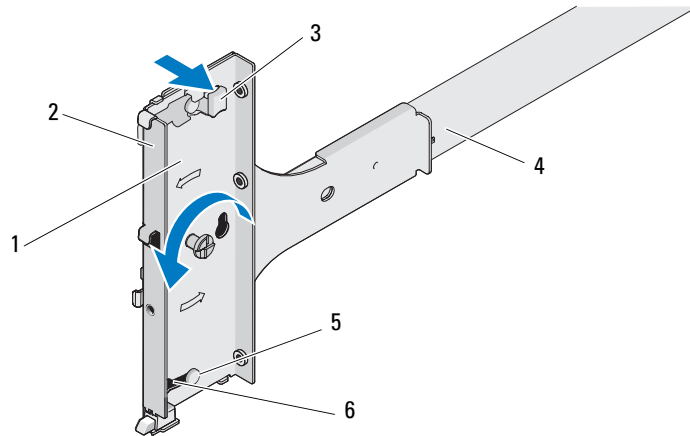
The rotating mounting brackets on the mounting rails allow you to configure them as either RapidRails or VersaRails. The mounting-bracket flange on the RapidRails configuration has two hooks and a push button (see Figure 1-5). The mounting-bracket flange on the VersaRail has three holes (see Figure 1-6).

NOTE: The rack kit ships with the sliding rail assemblies in the RapidRails configuration.

To rotate the mounting bracket and change the mounting rails from RapidRails to VersaRails (see Figure 1-4):

- 1 Lift the release lever on the rotating mounting bracket.
- 2 Rotate the bracket and slide it up off the two shoulder standoffs.
- 3 Continue to rotate the bracket 180 degrees until you can set the notches back over the shoulder standoffs.
- 4 Rotate the bracket back in the opposite direction on the shoulder standoffs until the bracket clicks into place.

Figure 1-4. Rotating the Mounting Bracket



- | | | | | | |
|---|---------------------------|---|---|---|---------------|
| 1 | rotating mounting bracket | 2 | mounting-bracket flange
(RapidRails version shown) | 3 | release lever |
| 4 | mounting rails | 5 | shoulder standoff | 6 | notch |

Installing the Mounting Rails in the Rack

Installing the RapidRails



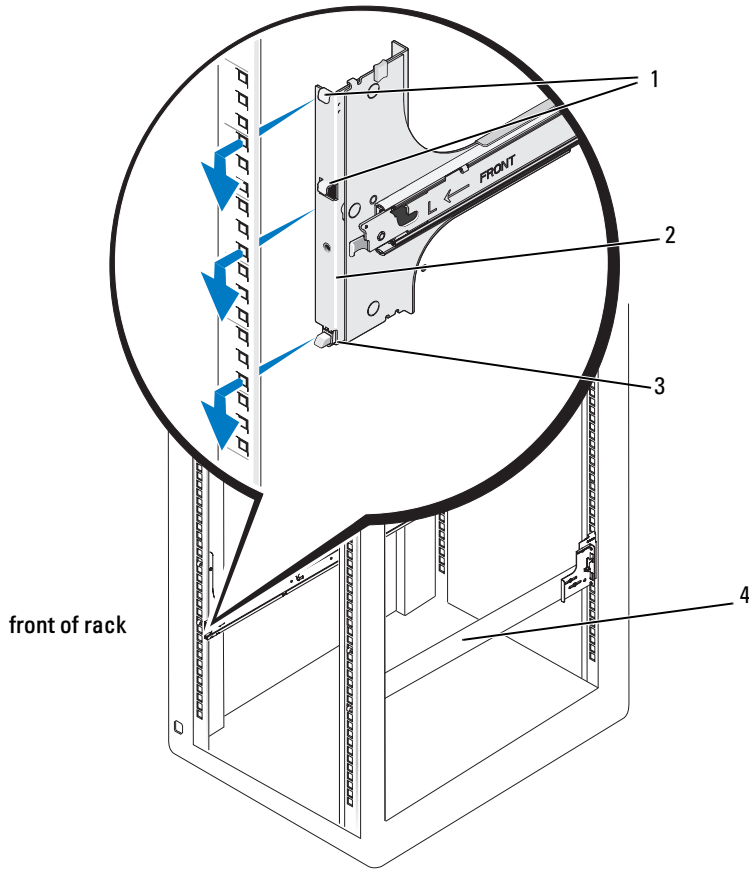
NOTE: Ensure that the rotating mounting brackets on the mounting rails are in the RapidRail configuration as shown in Figure 1-5.

- 1 At the front of the rack cabinet, position one of the mounting rails so that the flange fits between the marks or numbered locations on the vertical rails (see "Marking the Rack" on page 9).
- 2 Place the top mounting hook in the square hole just below the upper mark on the vertical rail and place the next mounting hook in its corresponding square hole on the vertical rail (see Figure 1-5).
- 3 Push down on the flange to firmly attach the front of the RapidRail to the vertical rail. The push button at the bottom of the mounting flange will then engage its corresponding square hole on the vertical rail (see Figure 1-5).
- 4 At the back of the cabinet, place the mounting hooks in their corresponding square holes on the back vertical rail, and push down on the flange until the mounting hooks and push button seat into place.
- 5 Repeat steps 1 through 4 for the mounting rails on the other side of the rack.



NOTE: Ensure that the mounting rails are mounted at the same vertical position on both sides of the rack.

Figure 1-5. Installing the RapidRails



- 1 mounting hooks
- 2 mounting-bracket flange
- 3 push button
- 4 mounting rails

Installing the VersaRails

NOTE: Ensure that the rotating mounting brackets on the mounting rails are in the VersaRail configuration as shown in Figure 1-6. See "Configuring the Sliding Rail Assemblies" on page 11.

- 1 At the front of the rack cabinet, position one of the mounting rails so that the flange fits between the marks or numbered locations on the vertical rails (see "Marking the Rack" on page 9).
- 2 Install the 10-32 x 0.5-inch flange-head Phillips screws in the mounting flange's top hole and the bottom hole (see Figure 1-6).
- 3 At the back of the cabinet, pull back on the mounting-bracket flange until the mounting holes align with their respective holes on the back vertical rail.

- 4 Install the 10-32 x 0.5-inch flange-head Phillips screws in the back mounting flange's top and bottom holes to secure the mounting rail to the back vertical rail.
- 5 Repeat steps 1 through 4 for the mounting rail on the other side of the rack.


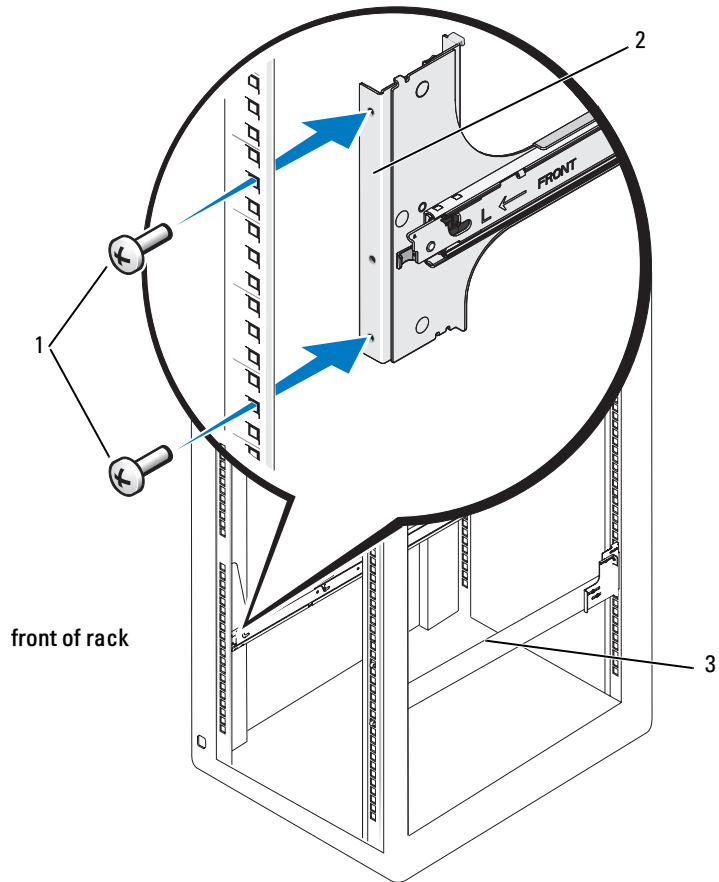
 **NOTE:** Ensure that the mounting rails are mounted at the same vertical position on both sides of the rack.

Figure 1-6. Installing the VersaRails



- 1 flange-head Phillips screws 2 mounting-bracket flange 3 mounting rails

Installing the System in the Rack

- ⚠ CAUTION:** If you are installing more than one system, install the first system in the lowest available position in the rack.
- ⚠ CAUTION:** Because of the size and weight of the system, never attempt to install the system in the mounting rails by yourself.
- ⚠ CAUTION:** Never pull more than one system out of the rack at a time.

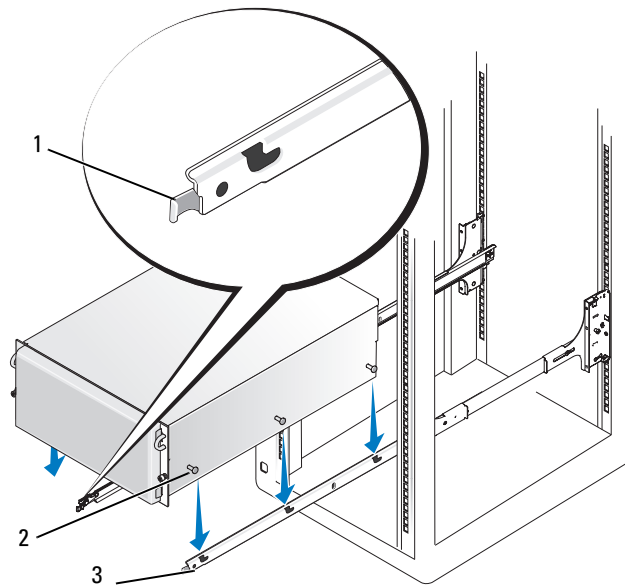
- 1 Pull the two inner slide assemblies out of the rack until they lock in the fully extended position.
- 2 Lift the system into position above the extended slides.

Using a minimum of two persons, each person should place one hand on the front-bottom of the system and the other hand on the back-bottom of the system.

The three shoulder screws on each side of the system fit into the corresponding J-slots on the inner slide assemblies (see Figure 1-7).

- 3 Lower the back of the system while aligning the back shoulder screws on the sides of the system with the back J-slots on the slide assemblies.

Figure 1-7. Installing the System in the Rack



- 1 system locking mechanism 2 shoulder screws 3 J-slots

- 4 Engage the back shoulder screws into their respective J-slots.
- 5 Lower the front of the system and fit the middle and front shoulder screws into their respective J-slots.
- 6 Push the system inward on the mounting rails until the system-locking mechanism clicks into place, locking the slide to the system.
- 7 Push in the release latches on the side of the slide assemblies, and push the system into the rack.
- 8 Tighten the thumbscrews on the system front panel to secure the system to the rack.

Cable Management

Use the cable tray and cable-management arm to manage your system's I/O and power cables. Use the tie-wraps on the cable tray to bundle the cables together. Use the cable-management arm to contain the cables by routing them through the upper and lower wire baskets.



NOTE: You can attach the cable-management arm to either side of the rack cabinet. If you attach the cable-management arm to the right side of the rack cabinet, you can open both cable baskets without moving the cable-management arm. If you attach it to the left side, you have to swing the cable-management arm out toward you to open the cable baskets.



NOTE: If you attach the cable-management arm to the left side of the rack, you must disconnect the lower release latch on the cable-management arm before you can remove the power supply.



NOTE: You will attach the cable-management arm retainer to the side opposite of where you attach the cable-management arm.

Attaching the Cable Tray

To attach the cable tray to the back of the system:

- 1 Locate the tab slots on the left and right outer edges of the system and the corresponding metal tabs on the left and right edges of the cable tray (see Figure 1-8).
- 2 Align and insert the metal tabs on the cable tray into the tab slots on the system and seat the cable tray into place.
- 3 Push down and tighten the captive thumbscrew on the cable tray to secure it to the system (see Figure 1-8).



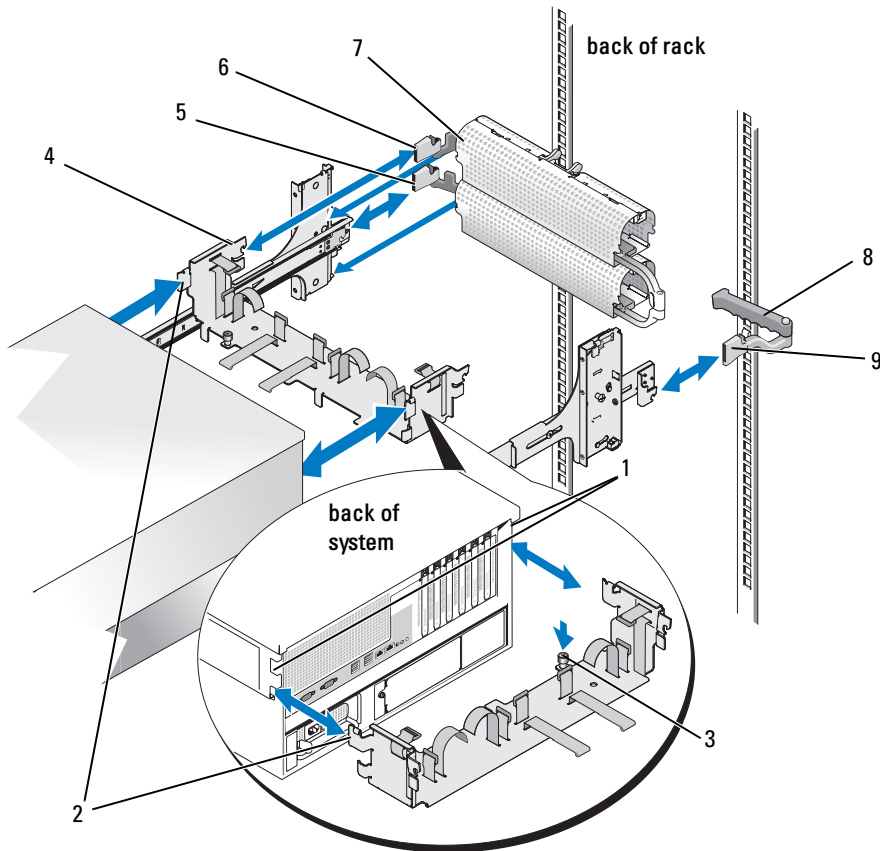
CAUTION: The cable tray cannot support the weight of the system. Do not grasp the cable tray when lifting the system. Lift the system only by the chassis edges.

Attaching the Cable-Management Arm

To attach the cable-management arm:

- 1 Connect the top release latch on the cable-management arm to the tab on the cable tray (see Figure 1-8).
- 2 Connect the bottom release latch on the cable-management arm to the tab on the outer slide assembly (see Figure 1-8).

Figure 1-8. Cable Management



- | | | | | | |
|---|--|---|--|---|--|
| 1 | tab slots on system | 2 | metal tabs (attaches cable tray to system) | 3 | captive thumbscrew |
| 4 | metal tabs (attaches cable tray to cable-management arm) | 5 | bottom release latch on cable-management arm | 6 | top release latch on cable-management arm |
| 7 | cable-management arm | 8 | cable-management arm retainer | 9 | release latch on cable-management arm retainer |


Attaching the System Status-Indicator Cable

- 1 If applicable, attach the system status-indicator cable plug to the back panel of the system (see Figure 1-9).
- 2 Open both baskets on the cable-management arm by squeezing the release latches on each basket. The baskets swing open to enable cables to be routed within the arms (see Figure 1-9).
- 3 Route the system status-indicator cable through the upper basket and then through the lower basket of the cable-management arm. Insert the LED end of the system status-indicator cable into one of the indicator slots on the cable-management arm (see Figure 1-9).


Routing Cables

- 1 Attach the I/O cable connectors and power cable connectors to their respective connectors on the back panel of the system.

For details on cable connections, see your system's *Getting Started Guide* and the *Hardware Owner's Manual*.


 **NOTE:** Use the cable retention brackets (if present) on the back of the power supplies to provide strain relief for the power cables.

- 2 Bundle all cables together using the tie-wraps on the cable tray (see Figure 1-9).

 **NOTE:** To keep the cable-management arm from sagging, it is critical that you use the upper tie-wrap on the cable tray that is on the same side as the cable-management arm (see Figure 1-9).

- 3 If not already open from routing the system status-indicator cable, open both baskets on the cable-management arm by squeezing the release latches on each basket. The baskets swing open to enable cables to be routed within the arms (see Figure 1-9).

- 4 Route cables through the upper basket and then through the lower basket of the cable-management arm.

 **NOTE:** For proper system cable installation, you must route the cables first through the upper basket followed by the lower basket.

- 5 Close the cable baskets.

- 6 Unscrew the thumbscrews that secure the front of the system to the front vertical rail.

- 7 Slide the system in and out of the rack to verify that the cables are routed correctly and do not bind, stretch, or pinch with the movement of the cable-management arm. Adjust the cable positioning inside the cable-management arm baskets as needed.


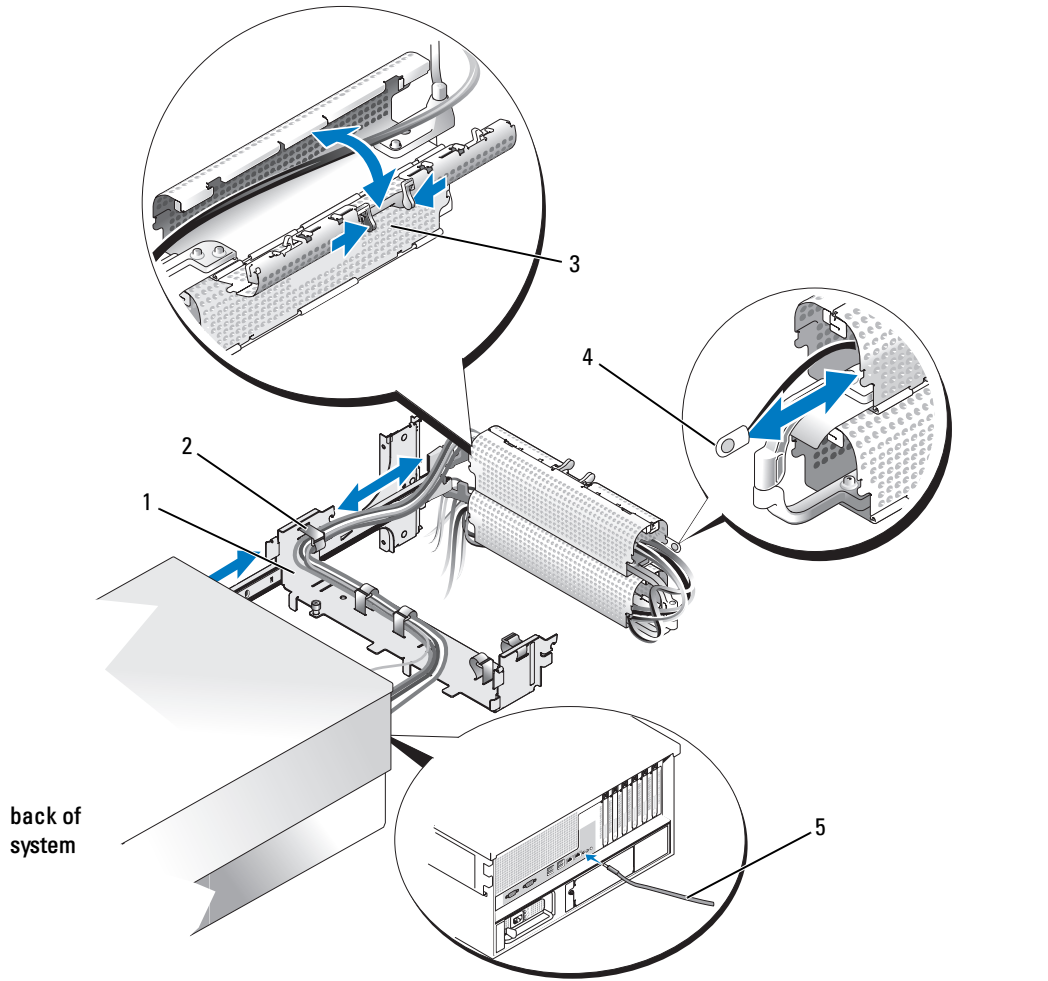
 **NOTE:** If you pull the system out to its furthest extension, the mounting rails will lock in the extended position. To release the lock, press the release latch on the side of the slide assembly and then slide the system into the rack.

Figure 1-9. Routing Cables



1 cable tray

2 tie-wraps

3 cover on wire basket


4 system status indicator

5 system status indicator cable plug

Attaching the Cable-Management Arm Retainer

The cable-management arm retainer keeps the cable-management arm in place. To attach the cable-management arm retainer:

- 1 Connect the release latch on the cable-management arm retainer to the tab on the outer slide assembly. See Figure 1-10.

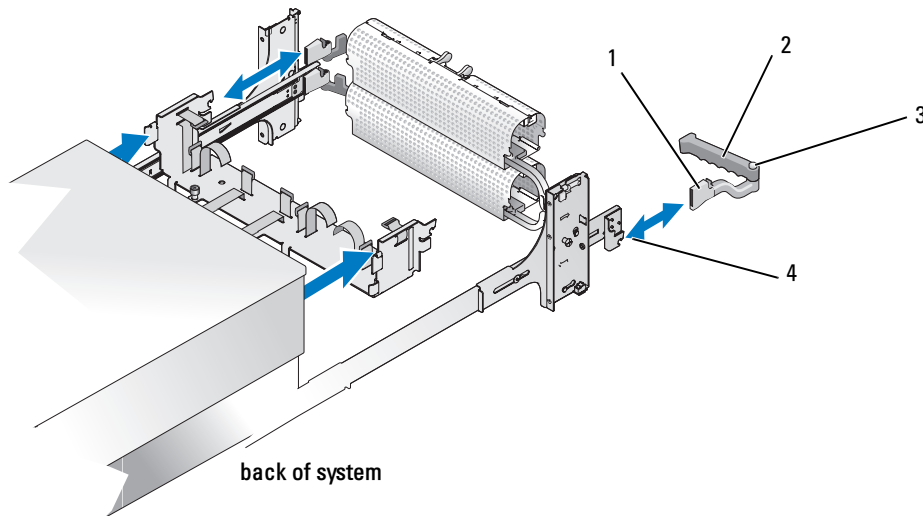
 **NOTE:** Attach the cable-management arm retainer to the side opposite of where you attach the cable-management arm (see Figure 1-10).

- 2 Fold the cable-management arm retainer until it locks into place behind the cable-management arm.

To unlock the cable-management arm retainer:

- 1 Press the blue button on the cable-management arm retainer while lifting the retainer arm.
- 2 Rotate the arm of the retainer to an open position.

Figure 1-10. Cable-Management Arm Retainer



- | | | | | | |
|---|--|---|-------------------------------|---|-------------|
| 1 | release latch on cable-management arm retainer | 2 | cable-management arm retainer | 3 | blue button |
| 4 | metal tab | | | | |

Replacing the Rack Doors

See the procedures for replacing doors in the documentation provided with your rack cabinets. This completes the rack installation of your system.

Guide d'installation du rack

Remarques, avis et précautions



REMARQUE : une REMARQUE indique des informations importantes qui peuvent vous aider à mieux utiliser votre ordinateur.



AVIS : un AVIS vous avertit d'un risque de dommage matériel ou de perte de données et vous indique comment éviter le problème.



PRÉCAUTION : une PRÉCAUTION indique un risque potentiel d'endommagement du matériel, de blessure corporelle ou de mort.

Les informations contenues dans ce document peuvent être modifiées sans préavis.

© 2005 Dell Inc. Tous droits réservés.

La reproduction de ce document de quelque manière que ce soit sans l'autorisation écrite de Dell Inc. est strictement interdite.

Marques utilisées dans ce document : *RapidRails* et *VersaRails* sont des marques de Dell Inc.

Tous les autres noms de marques et marques commerciales utilisés dans ce document se rapportent aux sociétés propriétaires des marques et des noms de ces produits. Dell Inc. décline tout intérêt dans l'utilisation des marques déposées et des noms de marques ne lui appartenant pas.

Sommaire

PRÉCAUTION : Consignes de sécurité	25
SÉCURITÉ : Montage en rack des systèmes	25
Consignes générales d'installation	26
Avant de commencer	26
Tâches d'installation	27
Outils et fournitures recommandés	28
Contenu du kit de rack	28
Retrait des portes du rack	29
Marquage du rack	30
Configuration des rails coulissants	32
Installation des rails de montage dans le rack	33
Installation des rails RapidRails	33
Installation des rails VersaRails	34
Installation du système dans le rack	36
Acheminement des câbles	37
Fixation du chemin de câbles	37
Fixation du passe-câbles	37
Installation du câble du voyant d'état	39
Acheminement des câbles	39
Fixation de la tige de retenue du passe-câbles	41
Remise en place des portes du rack	41

PRÉCAUTION : Consignes de sécurité


Respectez les consignes de sécurité de ce guide pour assurer votre sécurité personnelle et pour contribuer à protéger votre système et votre environnement de travail de dommages potentiels. Pour obtenir toutes les informations concernant la sécurité et les réglementations, consultez le *Guide d'informations sur le produit* fourni avec le système. Vous pouvez trouver des informations sur la garantie soit dans ce document, soit dans un document à part.


SÉCURITÉ : Montage en rack des systèmes

Pour la stabilité du rack et pour votre sécurité, respectez les précautions suivantes. Reportez-vous également à la documentation accompagnant le système et le rack pour connaître les mises en garde et les procédures spécifiques.

Les systèmes sont considérés comme étant les composants d'un rack. Le terme “composant” fait donc référence à un système mais aussi aux différents périphériques ou matériels associés.

 **PRÉCAUTION : avant d'installer des systèmes dans un rack autonome, installez d'abord les pieds stabilisateurs avant et latéraux. Pour plusieurs racks associés, installez d'abord les pieds stabilisateurs avant. L'installation de systèmes dans un rack non équipé de pieds stabilisateurs peut provoquer son basculement et entraîner des blessures. Installez toujours les pieds stabilisateurs du rack avant d'ajouter des composants dans celui-ci.**

 **PRÉCAUTION : après avoir installé le système/les composants dans un rack, ne sortez jamais plusieurs composants à la fois à l'aide des supports coulissants. Le poids de plusieurs composants sortis du rack risquerait de le faire basculer et de blesser quelqu'un gravement.**

 **REMARQUE :** le système est certifié sur le plan de la sécurité en tant qu'unité autonome et en tant que composant destiné à être utilisé dans une armoire rack Dell, à l'aide du kit de rack client. L'installation du système et du kit d'installation en rack dans une autre armoire n'a reçu aucune homologation des organismes de certification de la sécurité. Il vous incombe de veiller à ce que la combinaison finale système et rack soit conforme à toutes les normes de sécurité en vigueur, ainsi qu'aux normes électriques locales. Dell décline toute responsabilité et toutes garanties liées à ce type de combinaisons.

- Les kits de rack doivent être installés par des techniciens de maintenance qualifiés. Si vous installez ce kit dans un autre rack, assurez-vous que ce dernier possède les mêmes spécifications qu'un rack Dell.

 **PRÉCAUTION : ne déplacez pas de rack sans aide. En raison de la hauteur et du poids du rack, cette tâche doit être réalisée par deux personnes au minimum.**


- Avant de travailler sur le rack, vérifiez que les pieds stabilisateurs sont fixés au rack, qu'ils touchent le sol et que tout le poids du rack repose sur le sol. Avant d'intervenir sur un rack isolé, installez d'abord les pieds stabilisateurs avant et latéraux. Pour plusieurs racks associés, installez d'abord les pieds stabilisateurs avant.
- Chargez le rack du bas vers le haut, en plaçant toujours l'élément le plus lourd en premier.
- Assurez-vous que le rack est d'aplomb et stable avant de tirer un composant hors de son compartiment.
- Agissez avec précaution lorsque vous appuyez sur les loquets de dégagement des rails pour insérer ou retirer un composant. Veillez notamment à ne pas coincer vos doigts dans les rails coulissants.

- Ne surchargez pas le circuit d'alimentation secteur du rack. La consommation totale du rack ne doit pas dépasser 80 % de la capacité du circuit.
- Assurez-vous que les éléments installés dans le rack sont suffisamment ventilés.
- Ne montez pas sur un composant lorsque vous intervenez sur d'autres composants du rack.


Consignes générales d'installation

Ce guide d'installation contient des instructions s'adressant à des techniciens de maintenance qualifiés. Il explique comment installer un ou plusieurs systèmes dans un rack à châssis ouvert ou une armoire rack. Les rails RapidRails™ peuvent être installés sans outils dans toutes les armoires rack du fabricant dotées de trous carrés ; les rails VersaRails™ peuvent être installés dans la plupart des armoires rack standard équipées de trous carrés ou ronds. La procédure d'installation des kits RapidRails et VersaRails est similaire. Un kit d'installation est nécessaire pour chaque système.

 **PRÉCAUTION** : n'installez pas de kits prévus pour un autre système. Sinon, vous risquez d'endommager le système et de vous blesser.


 **REMARQUE** : si le système est un modèle tour, vous devez installer un kit de conversion de tour en rack. Les instructions d'installation de ce type de kit sont fournies dans un document séparé.


Le kit RapidRails peut être installé dans la plupart des armoires rack standard.

 **AVIS** : le kit VersaRails est prévu pour être installé par des techniciens de maintenance qualifiés dans un rack conforme aux spécifications des organismes suivants : American National Standards Institute (ANSI)/Electronic Industries Association (EIA) standard ANSI/EIA-310-D92, International Electrotechnical Commission (IEC) 297, et Deutsche Industrie Norm (DIN) 41494. Un kit est nécessaire pour chaque système installé dans un rack.

Avant de commencer


Avant de commencer à installer le système dans le rack, voir “PRÉCAUTION : Consignes de sécurité”, à la page 25, ainsi que les consignes de sécurité figurant dans le *Guide d'informations sur le produit* pour plus d'informations.

 **PRÉCAUTION** : si vous installez plusieurs systèmes dans un rack, terminez toutes les opérations requises sur le système en cours d'installation avant de passer au suivant.

 **PRÉCAUTION** : les racks peuvent être extrêmement lourds, mais se déplacent assez facilement sur leurs roulettes. Cependant, les armoires ne possèdent pas de système de freinage. Procédez avec la plus grande prudence pour déplacer une armoire rack. Rentez ses pieds réglables lorsque vous la changez d'emplacement. Évitez de déplacer le rack le long de rampes ou de plans inclinés trop longs ou trop abrupts, sur lesquels l'armoire pourrait vous échapper. Ressortez les pieds réglables lorsque l'armoire doit être soutenue ou pour lui éviter de glisser sur ses roulettes.


Informations importantes concernant la sécurité

Respectez les précautions décrites dans les sous-sections suivantes lors de l'installation du système dans le rack.

 **PRÉCAUTION** : vous devez respecter à la lettre les procédures de ce document afin de garantir votre propre protection ainsi que celle d'autrui. Le système peut être très lourd et volumineux. Une préparation et une planification adéquates sont donc importantes afin d'éviter tout risque de blessure pour vous-même ou autrui. Ces précautions sont d'autant plus importantes lorsque les systèmes sont installés en hauteur.

Pieds stabilisateurs du rack

 **PRÉCAUTION** : avant d'installer des systèmes dans un rack autonome, installez d'abord les pieds stabilisateurs avant et latéraux. Pour plusieurs racks associés, installez d'abord les pieds stabilisateurs avant. L'installation de systèmes dans un rack non équipé de pieds stabilisateurs peut provoquer son basculement et entraîner des blessures. Installez toujours les pieds stabilisateurs du rack avant d'ajouter des composants dans celui-ci.

 **PRÉCAUTION** : après avoir installé le système/les composants dans un rack, ne sortez jamais plusieurs composants à la fois à l'aide des supports coulissants. Le poids de plusieurs composants sortis du rack risquerait de le faire basculer et de blesser quelqu'un gravement.

Les pieds stabilisateurs évitent au rack de basculer lorsqu'un système ou composant est sorti sur un rail étendu au maximum. Consultez la documentation fournie avec l'armoire rack pour savoir comment installer et fixer les pieds stabilisateurs.

Tâches d'installation

Pour installer un kit, vous devez effectuer dans l'ordre indiqué les tâches suivantes, décrites plus loin dans ce guide :

- 1 Retrait des portes du rack (si nécessaire)
- 2 Marquage du rack (si nécessaire)
- 3 Configuration des rails coulissants
- 4 Installation des rails de montage dans le rack
 - Installation du kit RapidRails
 - Installation du kit VersaRails
- 5 Installation du système dans le rack
- 6 Fixation du chemin de câbles
- 7 Fixation du passe-câbles
- 8 Acheminement des câbles
- 9 Fixation de la tige de retenue du passe-câbles
- 10 Remise en place des portes du rack (si nécessaire)

Outils et fournitures recommandés

- Tournevis cruciforme n°2 (VersaRails uniquement)
- Bande adhésive ou stylo feutre pour marquer les trous de montage à utiliser
- Règle ou mètre-ruban

Contenu du kit de rack

Le kit comprend les éléments suivants (voir la figure 1-1) :

- Deux rails de montage avec supports rotatifs



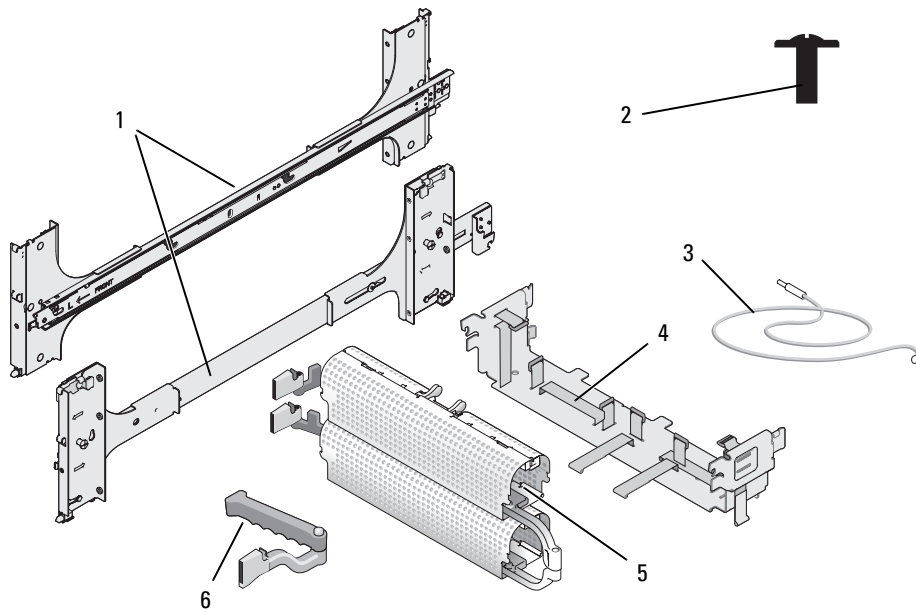
REMARQUE : les supports rotatifs permettent de monter les rails coulissants en configuration RapidRails ou VersaRails.

- Un chemin de câbles
- Un passe-câbles
- Une tige de retenue pour le passe-câbles
- Un câble de voyant d'état (le cas échéant)
- Huit vis à tête cruciforme 10-32 x 0,5 pouce



REMARQUE : les vis au pas non métrique décrites dans les illustrations et dans les procédures sont identifiées par la taille et le nombre de filets par pouce. Par exemple, une vis à tête cruciforme n° 10 avec 32 filets par pouce est désignée par l'appellation vis 10-32.

Figure 1-1. Contenu du kit de rack



- | | | | | | |
|---|------------------------------------|---|--|---|--|
| 1 | Rails de montage | 2 | Vis cruciformes à tête plate
10-32 x 0,5 pouce (8)
(VersaRails uniquement) | 3 | Câble de voyant d'état
(le cas échéant) |
| 4 | Chemin de câbles
et fixe-câbles | 5 | Passe-câbles | 6 | Tige de retenue
du passe-câbles |

Retrait des portes du rack

Consultez les procédures de retrait des portes dans la documentation fournie avec votre armoire rack.


⚠ PRÉCAUTION : compte tenu de leur poids et de leur taille, ne retirez ou n'installez jamais les portes sans l'assistance d'une autre personne.

⚠ PRÉCAUTION : placez les deux portes dans un endroit sûr où elles ne risquent pas de tomber accidentellement et de blesser quelqu'un.

Marquage du rack

Pour un système de 5 U, vous devez compter un espace vertical de 44 mm (8,75 pouces) dans le rack (voir la figure 1-2).

Les racks conformes aux normes EIA-310 comportent des séries alternées de trois trous par unité. L'espacement entre les trous, mesuré de centre à centre (en commençant par le trou supérieur) est respectivement de 15,9 mm, 15,9 mm et 12,7 mm (0,625 pouce, 0,625 pouce et 0,5 pouce) pour les rails verticaux avant et arrière (voir la figure 1-2). Les armoires rack peuvent comporter des trous ronds ou carrés.

 **REMARQUE** : les rails verticaux peuvent être marqués par des lignes horizontales et des chiffres progressant par incréments de 1 U. Si vous le souhaitez, vous pouvez noter le numéro figurant sur le rail vertical du rack. Dans ce cas, il n'est pas nécessaire de marquer le rack ou d'y apposer un morceau de bande adhésive.


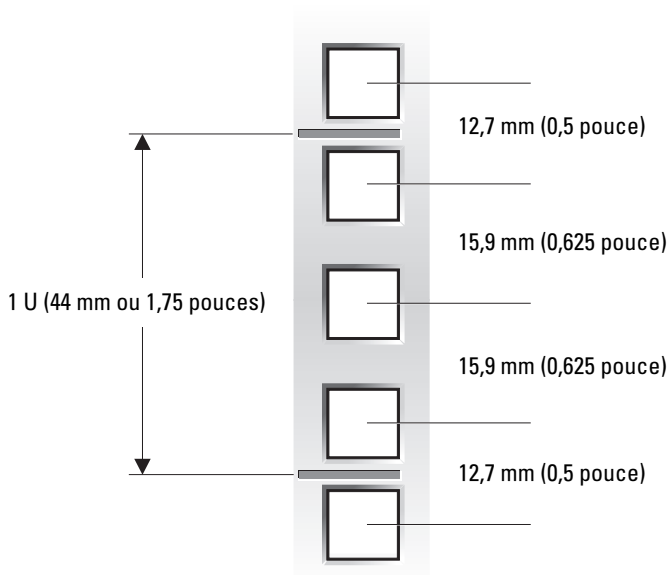
 **REMARQUE** : il se peut que votre rack soit déjà marqué, auquel cas cette procédure est inutile.

Figure 1-2. Unité de rack



 **PRÉCAUTION** : si vous installez plusieurs systèmes, placez les rails coulissants de façon que le premier système soit disposé le plus bas possible dans le rack.

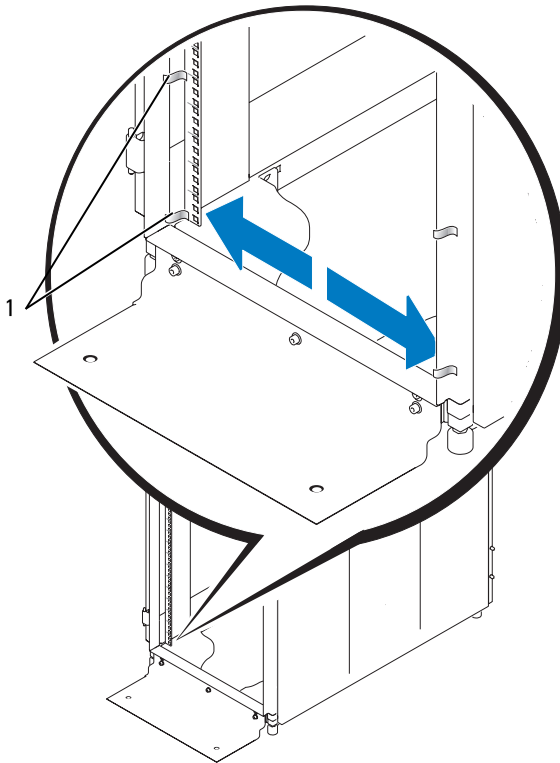
Pour marquer le rack, procédez comme suit :

- 1 Placez une marque sur les rails verticaux avant du rack, à l'endroit correspondant au bas du système à installer dans l'armoire rack.

Le bas de chaque espace de 1 U se trouve au milieu de la zone métallique la plus étroite entre les trous (repérée par une ligne horizontale sur certaines armoires rack ; voir la figure 1-3).

- 2 Placez une marque à environ 8,75 pouces au-dessus de la marque originale que vous avez faite (ou comptez jusqu'à 15 trous dans les racks de type EIA-310), puis marquez les rails verticaux du rack avec un stylo feutre ou de la bande protectrice adhésive (si vous avez compté les trous, placez une marque juste au-dessus du trou du haut). Cette marque ou ce morceau de bande adhésive indique l'emplacement du rebord supérieur du système sur les rails verticaux (voir la figure 1-3).

Figure 1-3. Marquage des rails verticaux



1 Bande apposée sur le rail vertical

Configuration des rails coulissants

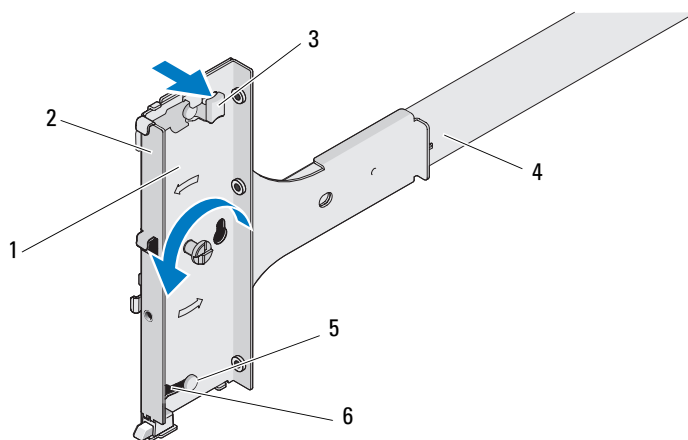
Les supports de montage rotatifs permettent de monter les rails en configuration RapidRails ou VersaRails. En configuration RapidRails, la plaque de fixation est équipée de deux crochets et d'un bouton-poussoir (voir la figure 1-5). En configuration VersaRails, elle comporte trois trous (voir la figure 1-6).

REMARQUE : les rails fournis avec le kit sont configurés en RapidRails.

Pour faire pivoter le support de montage et passer en configuration VersaRails (voir la figure 1-4), procédez comme suit :

- 1 Relevez le levier d'éjection du support de montage rotatif.
- 2 Faites pivoter le support puis faites-le glisser vers le haut pour le dégager des deux picots.
- 3 Continuez de faire pivoter le support à 180 degrés jusqu'à ce que les picots s'insèrent dans les encoches.
- 4 Faites pivoter le support dans la direction opposée pour l'emboîter dans les picots.

Figure 1-4. Rotation du support de montage



- | | | | | | |
|---|--------------------------------|---|---|---|-------------------|
| 1 | Rotation du support de montage | 2 | Plaque de fixation (configuration RapidRails) | 3 | Levier d'éjection |
| 4 | Rails de montage | 5 | Picot | 6 | Encoche |

Installation des rails de montage dans le rack

Installation des rails RapidRails



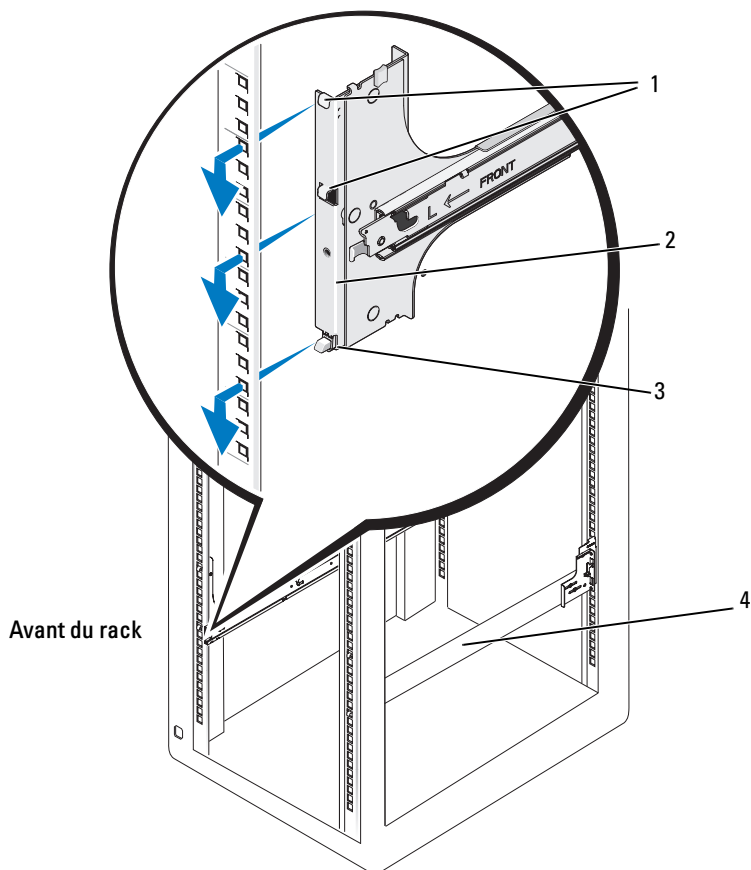
REMARQUE : vérifiez que les supports de montage rotatifs des rails sont montés en configuration RapidRails, comme illustré figure 1-5.

- 1 À l'avant du rack, positionnez l'un des rails de façon que sa plaque de fixation soit située entre les marques ou les emplacements numérotés sur les rails verticaux (voir “Marquage du rack”, à la page 30).
- 2 Alignez le crochet supérieur avec le trou carré situé juste sous la marque la plus haute du rail vertical. Alignez ensuite le crochet suivant avec le trou correspondant (voir la figure 1-5).
- 3 Appuyez sur la plaque pour fixer l'avant de l'élément RapidRails sur le rail vertical. Le bouton-poussoir situé au bas de la plaque de fixation s'enclenche dans le trou carré correspondant du rail vertical (voir la figure 1-5).
- 4 Procédez de la même manière à l'arrière du rack pour fixer les crochets dans les trous carrés correspondants et enclencher le bouton-poussoir.
- 5 Recommencez les étapes 1 à 4 pour fixer les rails de montage de l'autre côté du rack.



REMARQUE : vérifiez que les rails de montage sont montés à la même position verticale de chaque côté du rack.

Figure 1-5. Installation des rails RapidRails



1 Crochets de montage

2 Plaque de fixation

3 Bouton-poussoir

4 Rails de montage

Installation des rails VersaRails

REMARQUE : vérifiez que les supports de montage rotatifs des rails sont montés en configuration VersaRails, comme illustré figure 1-6. Voir “Configuration des rails coulissants”, à la page 32.

- 1 À l'avant du rack, positionnez l'un des rails de façon que sa plaque de fixation soit située entre les marques ou les emplacements numérotés sur les rails verticaux (voir “Marquage du rack”, à la page 30).
- 2 Insérez deux vis cruciformes à tête plate 10-32 x 0,5 pouce dans les trous supérieur et inférieur de la plaque de fixation (voir la figure 1-6).

- 3 À l'arrière de l'armoire, tirez sur la plaque de fixation jusqu'à ce que les trous de montage s'alignent avec les trous correspondants du rail vertical arrière.
- 4 Insérez deux vis cruciformes 10-32 x 0,5 pouce dans les trous supérieur et inférieur de la plaque pour fixer le rail de montage au rail vertical arrière du rack.
- 5 Recommencez les étapes 1 à 4 pour fixer le rail de montage de l'autre côté du rack.


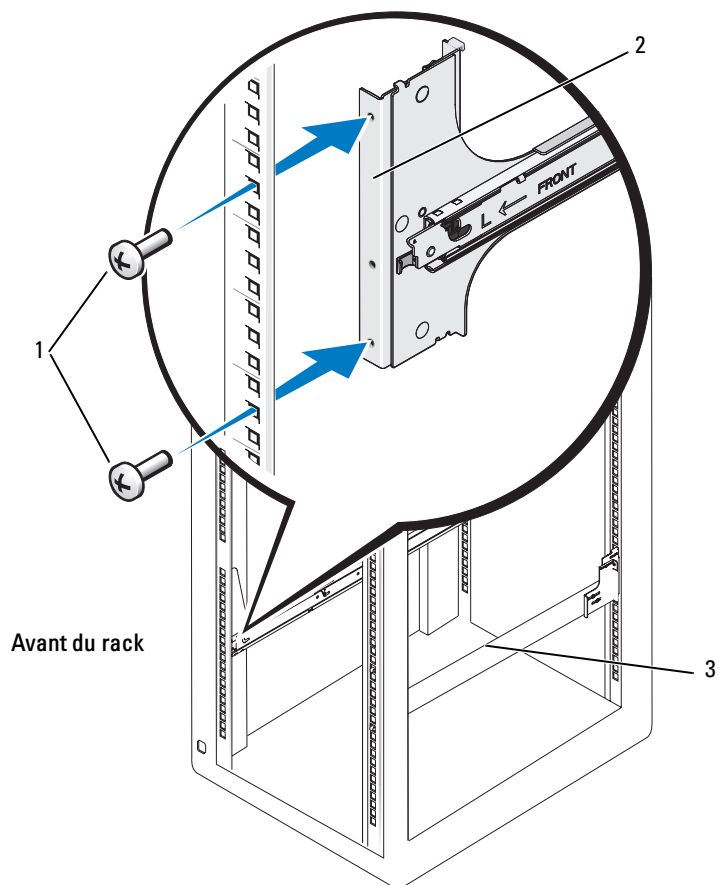
 **REMARQUE :** vérifiez que les rails de montage sont montés à la même position verticale de chaque côté du rack.

Figure 1-6. Installation des rails VersaRails



- 1 Vis cruciformes à tête plate 2 Plaque de fixation 3 Rails de montage

Installation du système dans le rack

- ⚠ PRÉCAUTION** : si vous installez plusieurs systèmes, installez le premier le plus bas possible dans le rack.
- ⚠ PRÉCAUTION** : en raison de la taille et du poids du système, ne tentez jamais de l'installer seul dans les rails de montage.
- ⚠ PRÉCAUTION** : ne retirez jamais plus d'un système du rack en même temps.

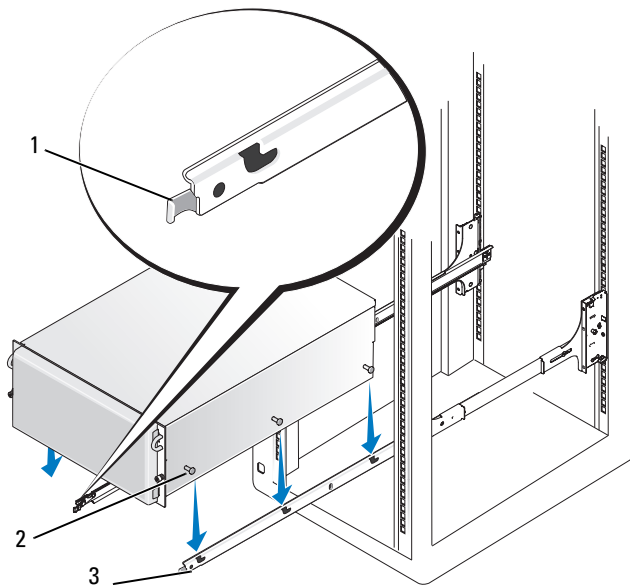
- 1 Tirez les deux rails coulissants intérieurs hors du rack jusqu'à ce qu'ils se bloquent sur la butée.
- 2 Soulevez le système pour le placer au dessus des rails coulissants.

L'opération doit être réalisée par au moins deux personnes. Chaque personne doit placer une main sous l'avant du système, et l'autre sous l'arrière du système.

Les trois vis à épaulement situées de chaque côté du système s'emboîtent dans les fentes en forme de J qui se trouvent sur les rails coulissants intérieurs (voir la figure 1-7).

- 3 Inclinez le système vers l'arrière tout en alignant les vis à épaulement arrière situées sur les côtés du système avec les fentes en J situées à l'arrière des rails coulissants.

Figure 1-7. Installation du système dans le rack





- 1 Mécanisme de verrouillage du système 2 Vis à épaulement 3 Fentes en forme de J


- 4 Emboîtez les vis à épaulement arrière dans les fentes correspondantes.
- 5 Abaissez l'avant du système jusqu'à ce que les vis à épaulement avant et centrale s'emboîtent dans les emplacements appropriés.
- 6 Poussez le système vers l'intérieur sur les rails de montage jusqu'à ce que le mécanisme de verrouillage s'enclenche, fixant les rails coulissants au système.
- 7 Appuyez sur les loquets de dégagement situés sur le côté des rails coulissants et faites glisser le système dans le rack.
- 8 Serrez les vis moletées sur le panneau avant du système pour le fixer au rack.

Acheminement des câbles

Acheminez les câbles d'E-S et les cordons d'alimentation à l'aide du chemin de câbles et du passe-câbles. Utilisez les fixe-câbles pour regrouper les câbles. Faites passer les câbles dans les deux conduits du passe-câbles.

 **REMARQUE** : le passe-câbles peut être installé sur le côté droit ou gauche de l'armoire rack. Si vous le fixez du côté droit, vous pourrez ouvrir les deux conduits sans avoir à le déplacer. Si vous le fixez du côté gauche, vous devrez le faire pivoter vers vous pour pouvoir ouvrir les conduits.

 **REMARQUE** : si vous fixez le passe-câbles sur le côté gauche du rack, vous devrez libérer le loquet de dégagement inférieur pour pouvoir retirer le bloc d'alimentation.

 **REMARQUE** : la tige de retenue doit être fixée du côté opposé à celui où vous avez fixé le passe-câbles.

Fixation du chemin de câbles

Pour fixer le chemin de câbles à l'arrière du châssis du système, procédez comme suit :

- 1 Repérez les encoches situées sur les rebords extérieurs gauche et droit du système, ainsi que les pattes métalliques correspondantes situées sur les rebords droit et gauche du chemin de câbles (voir la figure 1-8).
- 2 Insérez ces pattes métalliques sur les encoches et mettez le chemin de câbles en place.
- 3 Serrez les vis moletées imperdables du chemin de câbles pour le fixer au système (voir la figure 1-8).

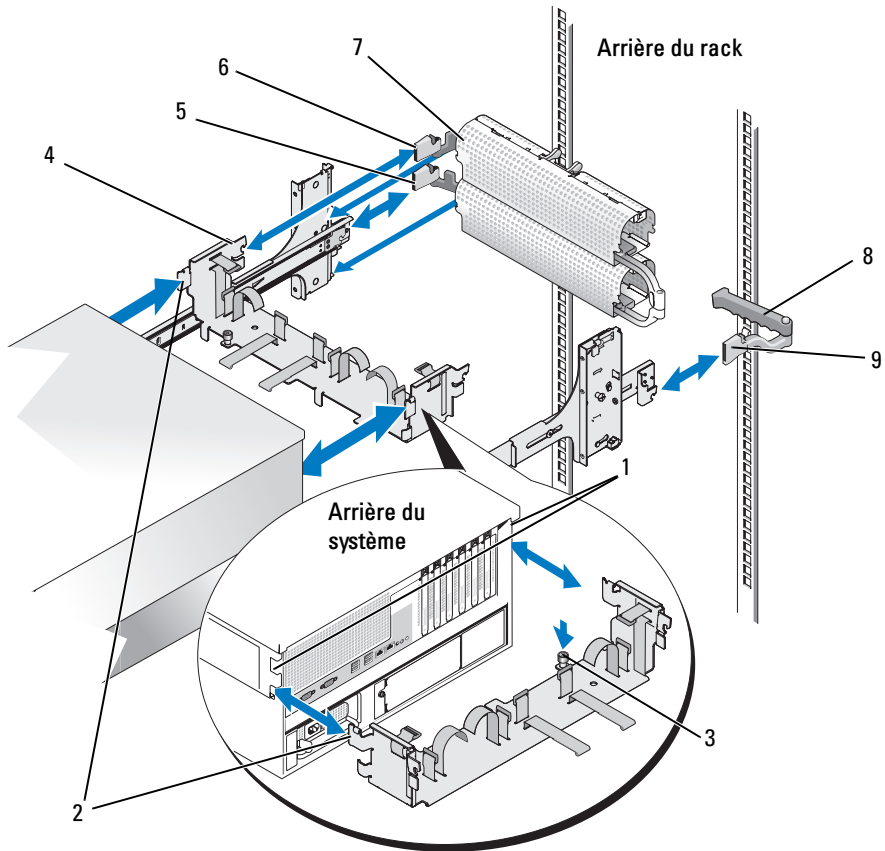
 **PRÉCAUTION** : le chemin de câbles ne peut pas supporter le poids du système. Ne l'utilisez pas pour soulever le système. Soulevez le système uniquement en saisissant les rebords du châssis.

Fixation du passe-câbles

Pour fixer le passe-câbles, procédez comme suit :

- 1 Enclenchez le loquet de dégagement du passe-câbles dans la patte du chemin de câbles (voir la figure 1-8).
- 2 Enclenchez le loquet de dégagement inférieur du passe-câbles dans la patte du rail coulissant extérieur (voir la figure 1-8).

Figure 1-8. Acheminement des câbles



- | | | | | | |
|---|---|---|--|---|---|
| 1 | Encoches du système | 2 | Pattes métalliques (pour la fixation du chemin de câbles sur le système) | 3 | Vis moletée imperdable |
| 4 | Pattes métalliques (pour la fixation du chemin de câbles sur le passe-câbles) | 5 | Loquet de dégagement inférieur du passe-câbles | 6 | Loquet de dégagement supérieur du passe-câbles |
| 7 | Passe-câbles | 8 | Tige de retenue du passe-câbles | 9 | Loquet de dégagement sur la tige de retenue du passe-câbles |

Installation du câble du voyant d'état

- 1 Le cas échéant, connectez le câble du voyant d'état au panneau arrière du système (voir la figure 1-9).
- 2 Ouvrez chaque conduit du passe-câbles en appuyant sur les loquets de dégagement prévus à cet effet. Les conduits s'ouvrent pour permettre la mise en place des câbles (voir la figure 1-9).
- 3 Acheminez le câble du voyant d'état dans le passe-câbles, en commençant par le conduit supérieur et en terminant par le conduit inférieur. Insérez l'extrémité du câble dotée du voyant dans l'un des emplacements réservés aux voyants sur le passe-câbles (voir la figure 1-9).

Acheminement des câbles





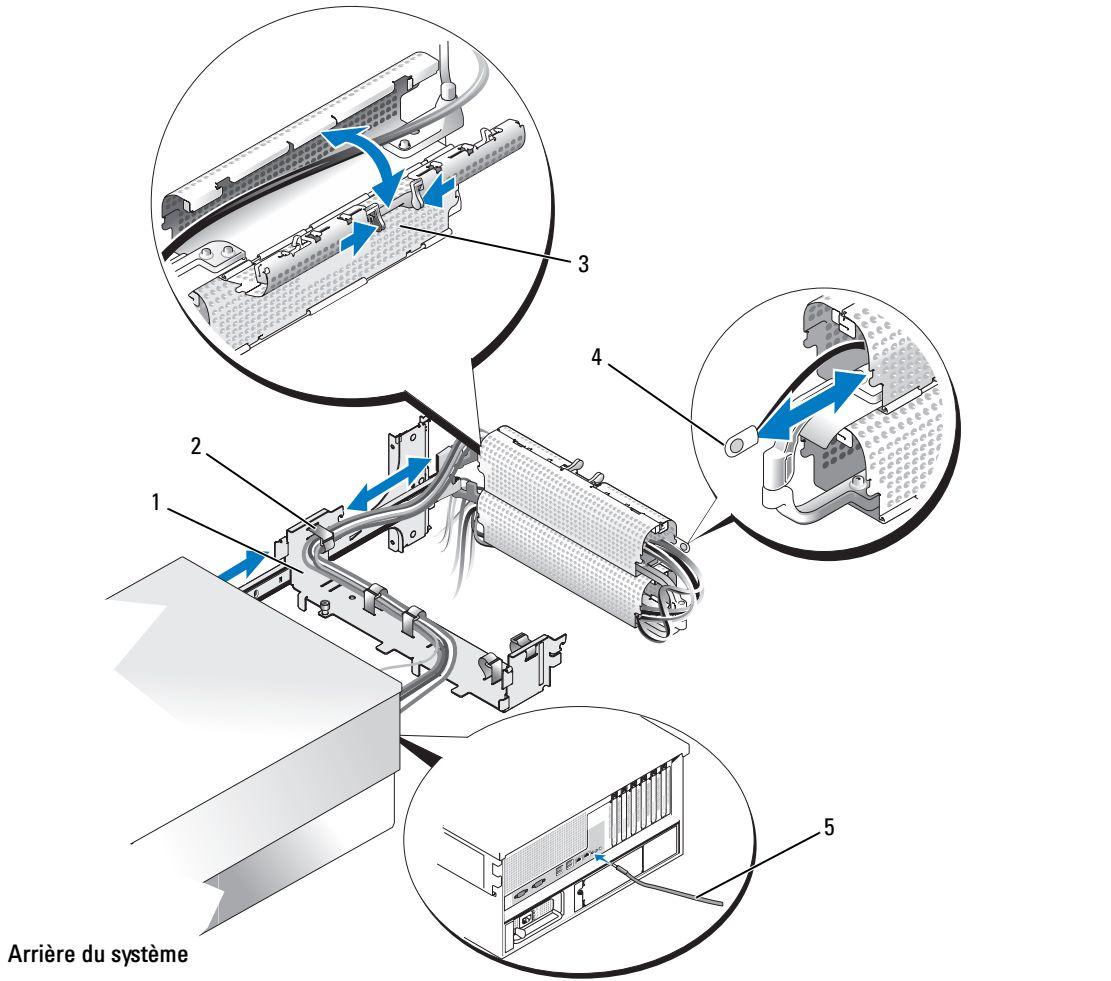
- 1 Insérez les câbles d'E-S et les câbles d'alimentation dans les connecteurs correspondants, à l'arrière du système.
Pour plus de détails sur le branchement des câbles, consultez le *Guide de mise en route* et le *Manuel du propriétaire*.
 **REMARQUE** : utilisez les boucles situées à l'arrière des blocs d'alimentation (le cas échéant) pour éviter une tension excessive des cordons d'alimentation.
- 2 Regroupez les câbles à l'aide des fixe-câbles situés sur le chemin de câbles (voir la figure 1-9).
 **REMARQUE** : pour éviter un affaissement du passe-câbles, il est primordial d'utiliser le fixe-câbles supérieur du chemin de câbles qui se trouve du même côté que le passe-câbles (voir la figure 1-9).
- 3 Si ce n'est déjà fait, ouvrez les deux conduits du passe-câbles en appuyant sur les loquets de dégagement. Les conduits s'ouvrent pour permettre la mise en place des câbles (voir la figure 1-9).
- 4 Acheminez les câbles dans le conduit supérieur puis dans le conduit inférieur du passe-câbles.
 **REMARQUE** : pour que le câblage soit correctement effectué, faites passer les câbles d'abord dans le conduit supérieur puis dans le conduit inférieur.
- 5 Refermez les conduits de câbles.
- 6 Desserrez les vis moletées fixant l'avant du système au rail vertical avant.
- 7 Poussez le système dans le rack puis ressortez-le, pour vérifier que les câbles sont installés correctement et ne se bloquent pas, ne se tendent pas et ne se coincent pas lors du déplacement du passe-câbles. Positionnez les câbles dans les conduits.
 **REMARQUE** : si vous tirez le système au maximum, les rails se verrouillent dans cette position. Pour les déverrouiller, appuyez sur le loquet de dégagement situé sur le côté du rail, puis faites coulisser le système dans le rack.

Figure 1-9. Acheminement des câbles




- | | | | | | |
|---|--------------------------|---|---------------------------------|---|----------------------------|
| 1 | Chemin de câbles | 2 | Fixe-câbles | 3 | Capot du conduit de câbles |
| 4 | Voyant d'état du système | 5 | Fiche du câble du voyant d'état | | |

Fixation de la tige de retenue du passe-câbles

La tige de retenue permet de maintenir le passe-câbles en place. Pour l'installer, procédez comme suit :

- 1 Enclenchez le loquet de dégagement de la tige de retenue dans la patte située sur le rail coulissant extérieur. Voir la figure 1-10.

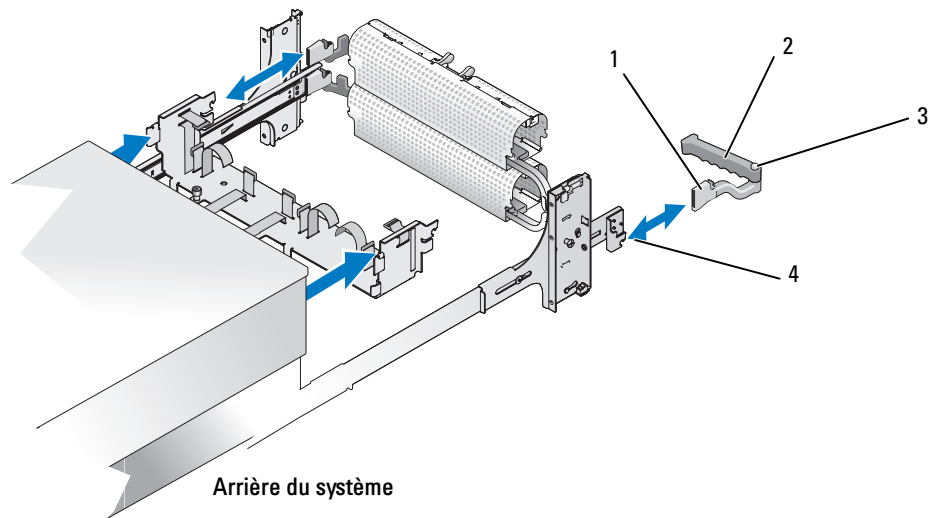
 **REMARQUE** : la tige de retenue doit être fixée du côté opposé à celui où vous avez fixé le passe-câbles (voir la figure 1-10).

- 2 Repliez la tige de retenue du passe-câbles jusqu'à ce qu'elle se mette en place derrière ce dernier.

Pour débloquer la tige de retenue du passe-câbles, procédez comme suit :

- 1 Appuyez sur le bouton bleu situé sur la tige de retenue tout en soulevant le passe-câbles.
- 2 Faites pivoter la poignée de la tige de retenue en position ouverte.

Figure 1-10. Tige de retenue du passe-câbles






- | | | | | | |
|---|---|---|---------------------------------|---|-------------|
| 1 | Loquet de dégagement sur la tige de retenue du passe-câbles | 2 | Tige de retenue du passe-câbles | 3 | Bouton bleu |
| 4 | Patte métallique | | | | |

Remise en place des portes du rack

Consultez les procédures de réinstallation des portes dans la documentation fournie avec vos armoires rack. L'installation du système dans le rack est terminée.

Rack-Installationsanleitung

Anmerkungen, Hinweise und Warnungen

-  **ANMERKUNG:** Eine ANMERKUNG macht auf wichtige Informationen aufmerksam, die die Arbeit mit dem Computer erleichtern.
-  **HINWEIS:** Ein HINWEIS warnt vor möglichen Beschädigungen der Hardware oder vor Datenverlust und zeigt auf, wie derartige Probleme vermieden werden können.
-  **VORSICHT:** Hiermit werden Sie auf eine potentiell gefährliche Situation hingewiesen, die zu Sachschäden, Verletzungen oder zum Tod führen könnte.

Irrtümer und technische Änderungen vorbehalten.
© 2005 Dell Inc. Alle Rechte vorbehalten.

Die Reproduktion dieses Dokuments in jeglicher Form ist ohne schriftliche Genehmigung von Dell Inc. streng verboten.

Marken in diesem Text: *RapidRails* und *VersaRails* sind Marken von Dell Inc.

Alle anderen in dieser Dokumentation genannten Marken und Handelsbezeichnungen sind Eigentum der jeweiligen Hersteller und Firmen. Dell Inc. erhebt keinen Anspruch auf Marken und Handelsbezeichnungen mit Ausnahme der eigenen.

Inhalt

VORSICHT: Sicherheitshinweise	47
SICHERHEIT: Montieren von Systemen im Rack	47
Allgemeine Installationsanleitung	48
Vorbereitungen	48
Ablauf der Installation	49
Empfohlene Werkzeuge und Zubehör	50
Inhalt des Rack-Kits.	50
Abnehmen der Rack-Türen	51
Markieren des Racks	52
Konfiguration der Gleitschienensätze	54
Installation der Montageschienen im Rack	55
Installation von RapidRails	55
Installation von VersaRails	57
Installation des Systems im Rack	59
Kabelablage	60
Anbringen der Kabelablage.	60
Befestigen des Kabelführungsarms	61
Befestigen des Statusanzeigekabels.	62
Verlegen der Kabel	62
Befestigen des Kabelführungsarmhalters	64
Wiederanbringen der Rack-Türen	64


VORSICHT: Sicherheitshinweise

Beachten Sie die nachfolgenden Sicherheitshinweise, um Ihre eigene Sicherheit zu gewährleisten und eine Beschädigung des Systems und der Arbeitsumgebung zu vermeiden. Vollständige Informationen über die Sicherheitsanforderungen und Betriebsvorschriften finden Sie im *Product Information Guide* (Produktinformationshandbuch) zum System. Die Garantieinformationen befinden sich entweder dort oder in einem gesonderten Dokument.


SICHERHEIT: Montieren von Systemen im Rack

Beachten Sie die folgenden Vorsichtsmaßnahmen für die Stabilität und Sicherheit des Racks. Spezielle Warnungen und/oder Sicherheitshinweise und Prozeduren finden Sie auch in der zum System gehörenden Dokumentation zur Rack-Installation.

Systeme gelten als Komponenten in einem Rack. Der Begriff „Komponente“ bezieht sich also auf ein beliebiges System oder auch Peripheriegeräte und Zusatzhardware.

 **VORSICHT: Bevor Sie Systeme in einem Rack einbauen, installieren Sie bei frei stehenden Racks die vorderen und seitlichen Stabilisatoren und bei Racks, die mit anderen Racks verbunden sind, die vorderen Stabilisatoren. Wenn vor dem Einsetzen von Systemen in einem Rack keine Stabilisatoren angebracht werden, kann das Rack unter Umständen umkippen und Verletzungen verursachen. Befestigen Sie daher immer zuerst die Stabilisatoren, bevor Sie Komponenten im Rack installieren.**

 **VORSICHT: Ziehen Sie nach dem Einbau von Systemen bzw. Komponenten in einem Rack niemals mehr als eine Komponente gleichzeitig auf den Gleitschienen aus dem Rack. Durch das Gewicht von mehr als einer Komponente kann das Rack umkippen und Verletzungen verursachen.**

 **ANMERKUNG:** Das System ist als frei stehende Einheit und für die Verwendung als Komponente in einem Dell-Rack unter Verwendung des kundenseitigen Rack-Kits sicherheitszertifiziert. Die Installation des Systems und des Rack-Kits in anderen Racks ist von keiner Prüfbehörde abgenommen. Sie sind selbst dafür verantwortlich, dass die endgültige Kombination von System und Rack alle geltenden Sicherheitsstandards und die lokalen elektrischen Richtlinien erfüllt. Dell übernimmt keinerlei Haftung und Gewährleistung für derartige Kombinationen.

- System-Rack-Kits sollten von geschulten Servicetechnikern in einem Rack installiert werden. Wenn Sie das Kit in einem anderen Rack installieren, vergewissern Sie sich, dass das Rack die Spezifikationen eines Dell-Racks erfüllt.


 **VORSICHT: Große Racks dürfen nicht von einer Person allein bewegt werden. Wegen der Höhe und des Gewichts des Racks sollte diese Arbeit mit mindestens zwei Personen durchgeführt werden.**


- Bevor Sie an einem Rack arbeiten, vergewissern Sie sich, dass die Stabilisatoren sicher am Rack befestigt sind, fest auf dem Boden aufliegen und dass das gesamte Gewicht des Racks auf dem Boden lastet. Montieren Sie an einem einzelnen Rack die vorderen und seitliche Stabilisatoren, an mehreren miteinander verbundenen Racks die vordere Stabilisatoren, bevor Sie Arbeiten am Rack durchführen.
- Bestücken Sie das Rack immer von unten nach oben, und setzen Sie die schwerste Komponente zuerst ein.
- Vergewissern Sie sich, dass das Rack gerade und stabil steht, bevor Sie eine Komponente aus dem Rack ziehen.

- Es besteht Quetschgefahr für die Finger, wenn Sie auf die Schienenverriegelung der Komponente drücken und eine Komponente in das Rack schieben oder herausziehen.
- Überlasten Sie nicht den Wechselstromkreis, über den das Rack mit Strom versorgt wird. Die Gesamtlast des Racks sollte 80 Prozent der Nennbelastbarkeit des Stromkreises nicht überschreiten.
- Überprüfen Sie, ob eine ausreichende Luftzufuhr zu den Komponenten im Rack gewährleistet ist.
- Treten Sie nicht auf Komponenten oder stellen sich darauf, wenn Sie an anderen Komponenten in einem Rack Arbeiten durchführen.


Allgemeine Installationsanleitung

Diese Installationsanleitung enthält Anweisungen für geschulte Servicetechniker zur Montage eines oder mehrerer Systeme in einem offenen Rack oder einem Gestellschrank. Das RapidRails™ Rack-Kit lässt sich ohne Werkzeuge in allen Herstellergestellschränken mit Rechtecklöchern installieren, und das VersaRails™ Rack-Kit in den meisten Standardgestellschränken mit Rechteck- oder Rundlöchern. Die Montage der RapidRails- und VersaRails-Rack-Kits verläuft ähnlich. Für jedes im Rack installierte System wird ein Rack-Kit benötigt.

 **VORSICHT: Installieren Sie keine Rack-Kit-Komponenten, die für andere Systeme vorgesehen sind. Verwenden Sie ausschließlich das für das System vorgesehene Rack-Kit. Wenn Sie das Rack-Kit für ein anderes System verwenden, kann dies zu Beschädigungen am System und zu Verletzungen führen.**

 **ANMERKUNG:** Wenn es sich bei Ihrem System um eine Tower-Version handelt, müssen Sie ein entsprechendes Tower-Rack-Umwandlungskit installieren. Anleitungen zur Installation dieses Kits finden Sie in einem separaten Dokument.


Das RapidRails Rack-Kit lässt sich in den meisten Standardgestellschränken installieren.

 **HINWEIS:** Das VersaRails-Rack-Kit muss von geschulten Servicetechnikern in einem Rack installiert werden, das den Spezifikationen des American National Standards Institute (ANSI)/Electronic Industries Association (EIA) Standard ANSI/EIA-310-D-92, der International Electrotechnical Commission (IEC) 297 und der DIN 41494 entspricht. Für jedes in einem Rack montierte System wird ein Rack-Kit benötigt.

Vorbereitungen


Bevor Sie mit der Installation des Systems im Rack beginnen, lesen Sie aufmerksam den Abschnitt „VORSICHT: Sicherheitshinweise“ auf Seite 47 sowie die Sicherheitshinweise im *Product Information Guide* (Produktinformationshandbuch) zum System.

 **VORSICHT: Wenn Sie mehrere Systeme in einem Rack installieren, schließen Sie alle Maßnahmen für ein System ab, bevor Sie das nächste System installieren.**


 **VORSICHT: Gestellschränke können sehr schwer sein und leicht wegrollen. Die Schränke haben keine Bremsen. Bewegen Sie ein Rack nur mit größter Vorsicht. Fahren Sie die höhenverstellbaren Füße ein, bevor Sie ein Rack bewegen. Vermeiden Sie lange bzw. steile Neigungen oder Rampen, auf denen Sie die Kontrolle über das Rack verlieren könnten. Fahren Sie die höhenverstellbaren Füße aus, damit das Rack abgestützt wird und nicht wegrollen kann.**


Wichtige Sicherheitshinweise

Beachten Sie beim Einbau des Systems im Rack die Sicherheitsmaßnahmen in den folgenden Unterabschnitten.

 **VORSICHT:** Befolgen Sie die in diesem Dokument angegebene Vorgehensweise genau, um sich selbst und andere Personen nicht zu gefährden. Das System ist möglicherweise sehr groß und schwer. Sie sollten die Installation sorgfältig vorbereiten und planen, um Verletzungen zu vermeiden. Dies gilt insbesondere, wenn Systeme weiter oben im Rack installiert werden.

Rack-Stabilisatoren

 **VORSICHT:** Bevor Sie Systeme in einem Rack einbauen, installieren Sie bei frei stehenden Racks die vorderen und seitlichen Stabilisatoren und bei Racks, die mit anderen Racks verbunden sind, die vorderen Stabilisatoren. Wenn vor dem Einsetzen von Systemen in einem Rack keine Stabilisatoren angebracht werden, kann das Rack unter Umständen umkippen und Verletzungen verursachen. Befestigen Sie daher immer zuerst die Stabilisatoren, bevor Sie Komponenten im Rack installieren.

 **VORSICHT:** Ziehen Sie nach dem Einbau von Systemen bzw. Komponenten in einem Rack niemals mehr als eine Komponente gleichzeitig auf den Gleitschienen aus dem Rack. Durch das Gewicht von mehr als einer Komponente kann das Rack umkippen und Verletzungen verursachen.

Die Stabilisatoren verhindern, dass das Rack umkippt, wenn ein System oder eine andere Komponente auf den Gleitschienen vollständig aus dem Rack gezogen wird. Anleitungen zur Installation und Befestigung der Stabilisatoren finden Sie in der mit dem Gestellschrank gelieferten Dokumentation.

Ablauf der Installation

Bei der Montage eines Rack-Kits sind die folgenden Arbeitsschritte (ausführlich in den nächsten Abschnitten beschrieben) nacheinander auszuführen:

- 1 Abnehmen der Rack-Türen (falls erforderlich)
- 2 Markieren des Racks (falls erforderlich)
- 3 Konfiguration der Gleitschienensätze
- 4 Installation der Montageschienen im Rack
 - Installation von RapidRails
 - Installation von VersaRails
- 5 Installation des Systems im Rack
- 6 Anbringen der Kabelablage
- 7 Befestigen des Kabelführungsarms
- 8 Verlegen der Kabel
- 9 Befestigen des Kabelführungsarmhalters
- 10 Wiedereinbau der Rack-Türen (falls erforderlich)

Empfohlene Werkzeuge und Zubehör

- Kreuzschlitzschraubendreher der Größe 2 (nur bei VersaRails)
- Kreppband oder Filzstift zur Markierung der zu verwendenden Montagelöcher
- Zollstock oder Maßband

Inhalt des Rack-Kits

Das Rack-Kit umfasst die folgenden Artikel (siehe Abbildung 1-1):

- Ein Paar Montageschienen mit drehbaren Halterungen



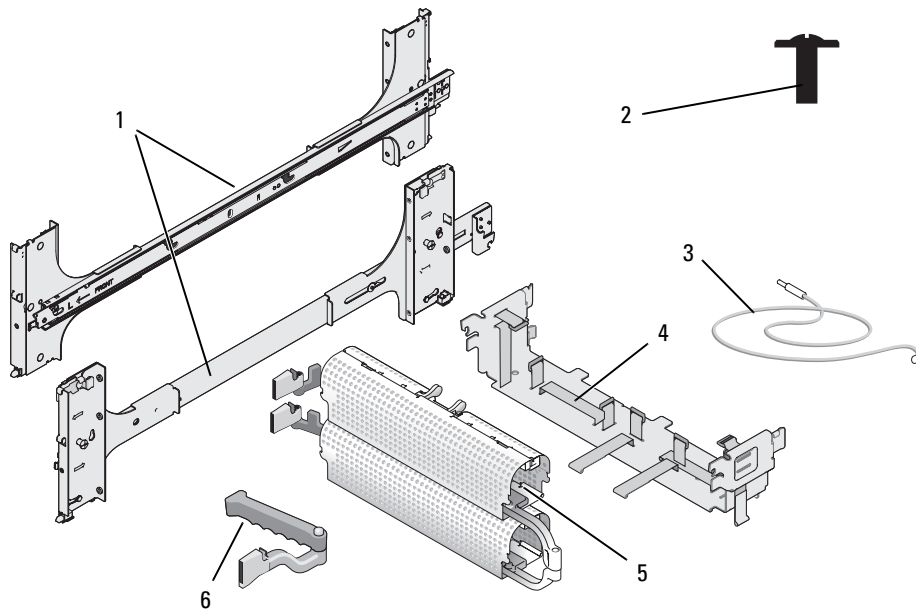
ANMERKUNG: Sie können die Gleitschienensätze mit den drehbaren Halterungen entweder als RapidRails oder VersaRails konfigurieren.

- Eine Kabelablage
- Ein Kabelführungsarm
- Ein Kabelführungsarmhalter
- Ein Statusanzeigekabel (falls zutreffend)
- Acht 10-32 x 0,5-Zoll Kreuzschlitzbundsrauben



ANMERKUNG: Die in den Abbildungen und Anweisungen genannten nichtmetrischen Schrauben werden nach ihrer Größe und der Anzahl der Windungen pro Zoll bezeichnet. So wird z. B. eine Kreuzschlitzschraube Nr. 10 mit 32 Windungen pro Zoll als 10-32-Schraube bezeichnet.

Abbildung 1-1. Inhalt des Rack-Kits



- | | | | | | |
|---|-----------------------------|---|---|---|---------------------------------------|
| 1 | Montageschienen | 2 | 10-32 x 0,5-Zoll Kreuzschlitzbundschrauben (8) (nur bei VersaRails) | 3 | Statusanzeigekabel (falls zutreffend) |
| 4 | Kabelablage und Kabelbinder | 5 | Kabelführungsarm | 6 | Kabelführungsarmhalter |

Abnehmen der Rack-Türen

Siehe Vorgehensweise zum Entfernen der Türen in der Dokumentation zum Gestellschrank.


⚠ VORSICHT: Da die Rack-Türen sehr groß und schwer sind, versuchen Sie niemals, die Türen ohne fremde Hilfe abzunehmen oder einzubauen.

⚠ VORSICHT: Verstauen Sie die Türen so, dass niemand verletzt wird, falls sie versehentlich umfallen.

Markieren des Racks

Bei einem 5-U-System benötigen Sie für jedes System, das Sie im Rack installieren, einen vertikalen Abstand von 5 U oder 22,2cm (siehe Abbildung 1-2).

EIA-310-Gestellschränke weisen ein sich wiederholendes Muster aus drei Löchern pro Rack-Einheit auf, deren Mittenabstand zueinander (beginnend mit dem oberen Loch einer 1-U-Einheit) 15,9 mm, 15,9 mm und 12,7 mm (0,625, 0,625 und 0,5 Zoll) an den vorderen und hinteren vertikalen Schienen beträgt (siehe Abbildung 1-2). Die Racks haben meist runde oder rechteckige Löcher.

 **ANMERKUNG:** Die vertikalen Schienen sind eventuell in Abständen von 1 U mit horizontalen Linien und Zahlen markiert. Notieren Sie sich die Nummer der Markierung auf der vertikalen Schiene. So brauchen Sie keine zusätzlichen Markierungen oder Klebeband am Rack anzubringen.


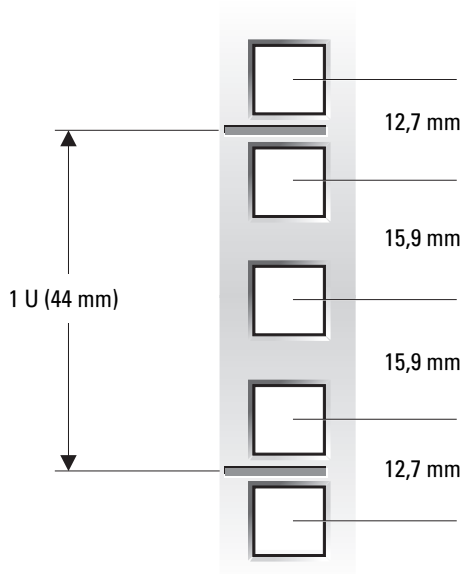
 **ANMERKUNG:** Möglicherweise ist das Rack bereits markiert; in diesem Fall ist kein weiteres Markieren erforderlich.

Abbildung 1-2. Eine Rack-Einheit



 **VORSICHT:** Wenn Sie mehr als ein System installieren, montieren Sie die Gleitschienensätze so, dass das erste System in die unterste mögliche Position im Rack gelangt.

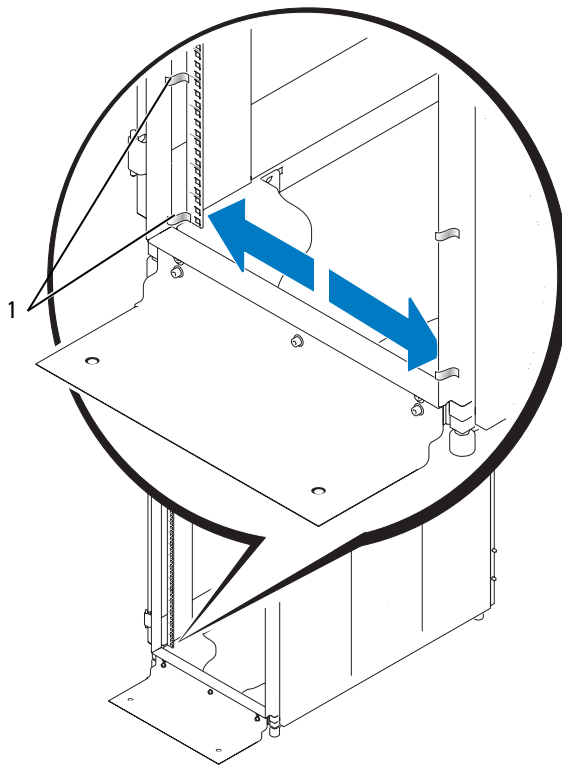
Gehen Sie zum Markieren des Racks wie folgt vor:

- 1 Bringen Sie auf den vorderen vertikalen Schienen des Racks eine Markierung an der Stelle an, an der sich die Unterseite des Systems befinden soll, das Sie in das Rack einbauen möchten.

Die Unterkante jeder 1-U-Einheit befindet sich in der Mitte des schmalsten Metallstücks zwischen den Löchern (bei einigen Racks mit einer horizontalen Linie gekennzeichnet, siehe Abbildung 1-3).

- 2 Bringen Sie eine Markierung etwa 22 cm über der ursprünglichen Markierung an (oder zählen Sie bei einem EIA-310-Rack 15 Löcher nach oben). Markieren Sie die vorderen vertikalen Schienen mit einem Filzstift oder einem Stück Kreppband (falls Sie die Löcher gezählt haben, bringen Sie direkt über dem oberen Loch eine Markierung an). Die Markierung bzw. das Kreppband kennzeichnet die spätere Position der Oberkante des Systems an den vertikalen Schienen (siehe Abbildung 1-3).

Abbildung 1-3. Vertikale Schienen markieren



1 Kreppband auf der vertikalen Schiene

Konfiguration der Gleitschienensätze

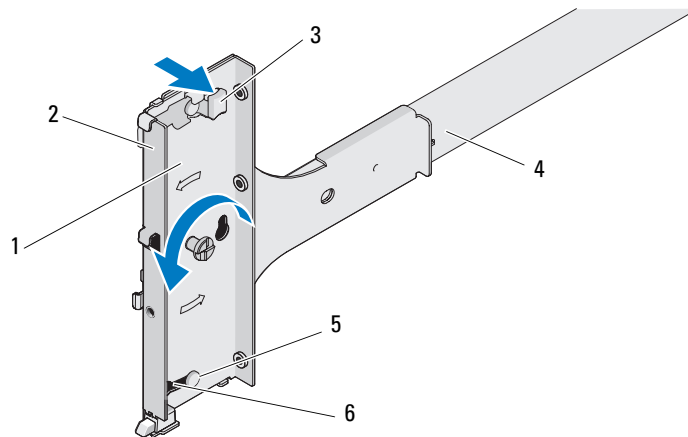
Mit den drehbaren Montagehalterungen an den Montageschienen können Sie diese entweder als RapidRails oder VersaRails konfigurieren. Der Montagehalterungsflansch bei der RapidRails-Konfiguration hat zwei Haken und eine Drucktaste (siehe Abbildung 1-5). Der Montagehalterungsflansch bei VersaRails hat drei Löcher (siehe Abbildung 1-6).

ANMERKUNG: Bei Auslieferung befinden sich die Gleitschienensätze des Rack-Kits in der RapidRails-Konfiguration.

So drehen Sie die Montagehalterung und ändern die Konfiguration der Montageschienen von RapidRails auf VersaRails (siehe Abbildung 1-4):

- 1 Heben Sie den Freigabehebel an der drehbaren Montagehalterung an.
- 2 Drehen Sie die Halterung und schieben Sie sie von den zwei Abstandshaltern nach oben weg.
- 3 Drehen Sie die Halterung weiter bis auf 180 Grad, bis die Abstandshalter wieder in die Aussparungen eingreifen.
- 4 Drehen Sie die Halterung auf den Abstandshaltern in der Gegenrichtung, bis sie einrastet.

Abbildung 1-4. Montagehalterung drehen



- | | | | | | |
|---|---------------------------|---|---|---|---------------|
| 1 | Drehbare Montagehalterung | 2 | Montagehalterungsflansch (RapidRails-Version dargestellt) | 3 | Freigabehebel |
| 4 | Montageschienen | 5 | Abstandshalter | 6 | Aussparung |

Installation der Montageschienen im Rack

Installation von RapidRails



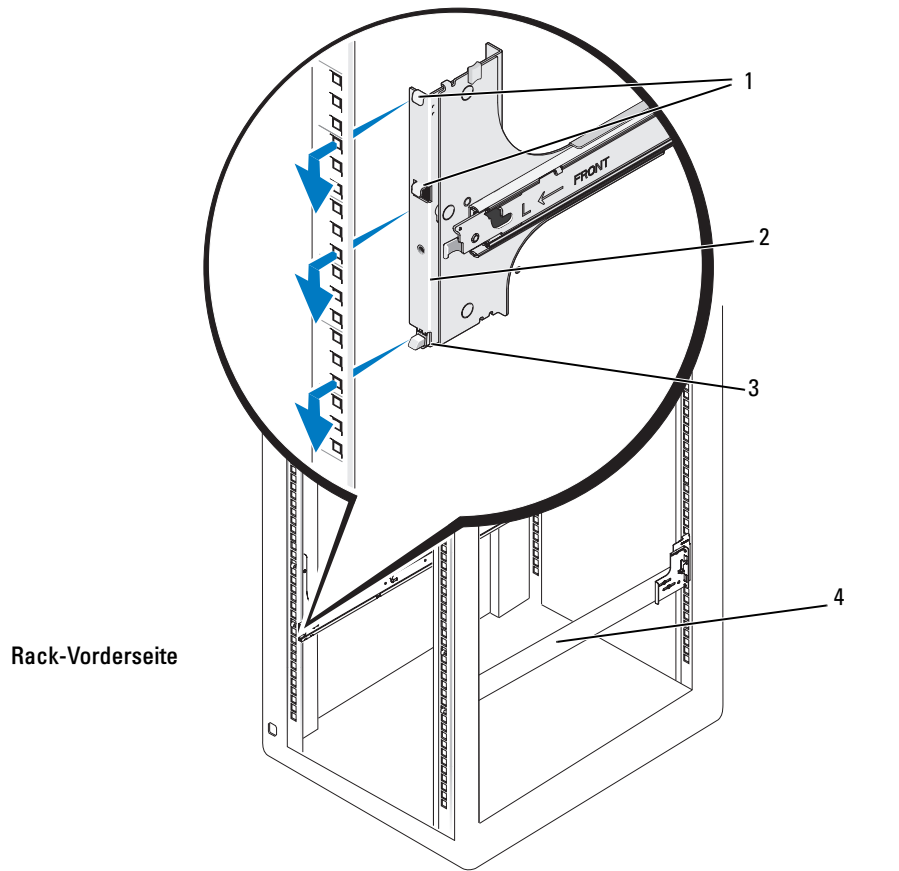
ANMERKUNG: Stellen Sie sicher, dass sich die drehbaren Montagehalterungen an den Montageschienen in der RapidRails-Konfiguration befinden, wie in Abbildung 1-5 dargestellt.

- 1** Setzen Sie eine der Montageschienen so an der Vorderseite des Racks an, dass der Flansch sich zwischen den Markierungen (oder den nummerierten Stellen) auf den vertikalen Schienen befindet (siehe „Markieren des Racks“ auf Seite 52).
- 2** Führen Sie den oberen Montagehaken in das Rechteckloch direkt unter der oberen Markierung auf der vertikalen Schiene ein und den nächsten Montagehaken in das entsprechende Rechteckloch auf der vertikalen Schiene (siehe Abbildung 1-5).
- 3** Drücken Sie den Flansch nach unten, um die RapidRail-Vorderseite an der vertikalen Schiene sicher zu befestigen. Die Drucktaste an der Unterseite der Montageschiene rastet dann im entsprechenden Rechteckloch an der vertikalen Schiene ein (siehe Abbildung 1-5).
- 4** Führen Sie auf der Rückseite des Racks die Montagehaken in die entsprechenden Rechtecklöcher in der vertikalen Schiene ein, und drücken Sie dann den Flansch nach unten, bis die Montagehaken befestigt sind und die Drucktaste eingerastet ist.
- 5** Wiederholen Sie die Schritte 1 bis 4 für die Montageschienen auf der anderen Seite des Racks.




ANMERKUNG: Achten Sie darauf, dass die Schienen auf jeder Rack-Seite in der gleichen Höhe an den vertikalen Schienen befestigt werden.

Abbildung 1-5. Installation von RapidRails



Installation von VersaRails

 **ANMERKUNG:** Stellen Sie sicher, dass sich die drehbaren Montagehalterungen an den Montageschienen in der VersaRails-Konfiguration befinden, wie in Abbildung 1-6 dargestellt. Siehe „Konfiguration der Gleitschienensätze“ auf Seite 54.

- 1 Setzen Sie eine der Montageschienen so an der Vorderseite des Racks an, dass der Flansch sich zwischen den Markierungen (oder den nummerierten Stellen) auf den vertikalen Schienen befindet (siehe „Markieren des Racks“ auf Seite 52).
- 2 Setzen Sie je eine 10-32 x 0,5 Zoll Kreuzschlitzbundschaube im oberen und unteren Loch des Montageflanschs ein (siehe Abbildung 1-6).
- 3 Ziehen Sie den Montagehalterungsflansch auf der Rack-Rückseite nach hinten, bis seine Montagelöcher mit den rechteckigen Löchern auf der hinteren vertikalen Schiene übereinstimmen.
- 4 Befestigen Sie die Montageschiene mit je einer 10-32 x 0,5 Zoll Kreuzschlitzbundschaube im oberen und unteren Loch des Montagehalterungsflanschs an der hinteren vertikalen Schiene.
- 5 Wiederholen Sie die Schritte 1 bis 4 für die Montageschiene auf der anderen Seite des Racks.


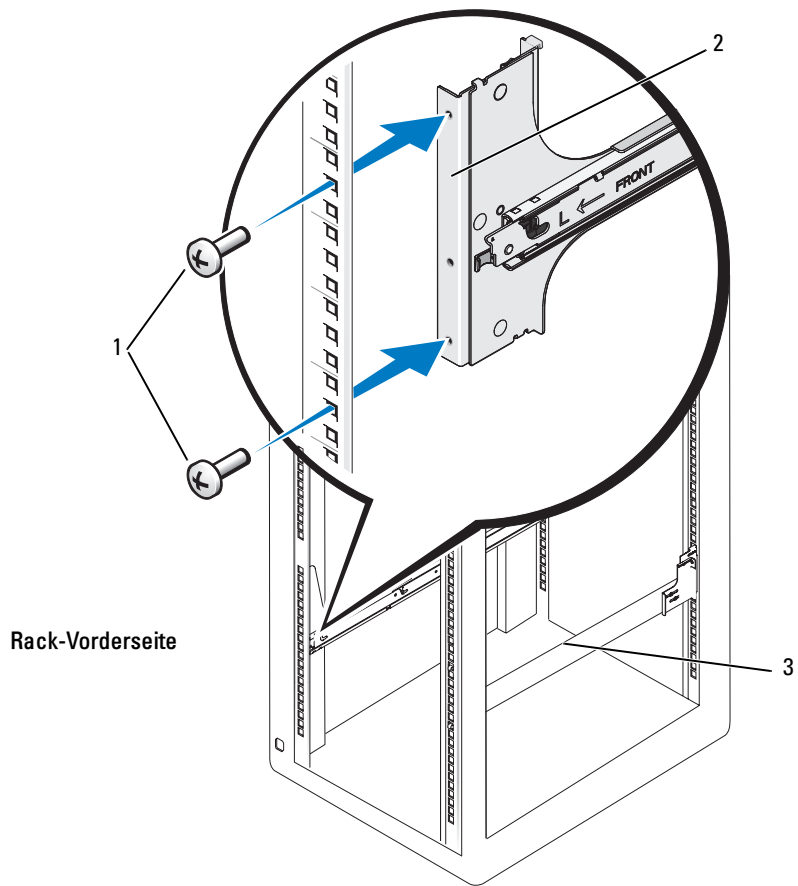
 **ANMERKUNG:** Achten Sie darauf, dass die Schienen auf jeder Rack-Seite in der gleichen Höhe an den vertikalen Schienen befestigt werden.

Abbildung 1-6. Installation von VersaRails



- 1 Kreuzschlitzbundschrauben 2 Montagehalterungsflansch 3 Montageschienen

Installation des Systems im Rack

⚠ VORSICHT: Wenn Sie mehr als ein System installieren, installieren Sie das erste System in der untersten möglichen Position im Rack.

⚠ VORSICHT: Wegen der Größe und des Gewichts des Systems sollten Sie niemals versuchen, das System ohne fremde Hilfe in den Montageschienen zu installieren.

⚠ VORSICHT: Ziehen Sie niemals mehr als ein System gleichzeitig aus dem Rack heraus.

1 Ziehen Sie die beiden inneren Gleitschienen aus dem Rack, bis sie in der vollständig ausgezogenen Position einrasten.

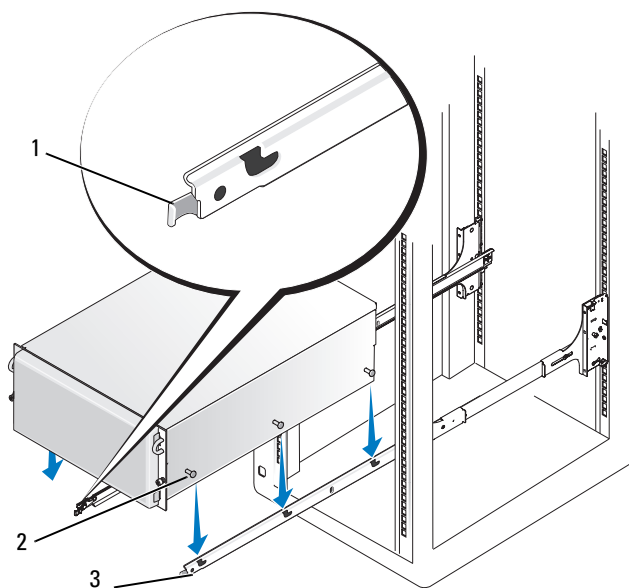
2 Heben Sie das System über die herausgezogenen Gleitschienen in Position.

Mindestens zwei Personen sollten das System dabei mit je einer Hand unter dem vorderen und hinteren Rand anheben.

Die jeweils drei Ansatzschrauben an den Seiten des Systems greifen in die entsprechenden J-förmigen Aussparungen in den inneren Schienensätzen (siehe Abbildung 1-7).

3 Senken Sie die Rückseite des Systems ab, und richten Sie dabei die hinteren Ansatzschrauben auf den Seiten des Systems mit den J-förmigen Aussparungen in den Schienensätzen aus.

Abbildung 1-7. Installation des Systems im Rack



1 Systemverriegelungsmechanismus 2 Ansatzschrauben 3 J-förmige Aussparungen

- 4 Lassen Sie die hinteren Ansatzschrauben in die jeweiligen J-förmigen Aussparungen eingreifen.
- 5 Senken Sie die Systemvorderseite ab, und führen Sie die mittleren und vorderen Ansatzschrauben in die jeweiligen J-förmigen Aussparungen ein.
- 6 Schieben Sie das System auf den Montageschienen nach innen, bis die Verriegelung einrastet und das System an der Schiene sichert.
- 7 Drücken Sie die Freigaberiegel auf den Seiten der Schienensätze nach innen, und schieben Sie dann das System in das Rack.
- 8 Ziehen Sie die Rändelschrauben an der Frontplatte des Systems fest, um es am Rack zu sichern.

Kabelablage

Verwenden Sie die Kabelablage und den Kabelführungsarm, um die Strom- und Datenkabel des System zu verlegen. Mit den Kabelbindern an der Kabelablage lassen sich die Kabel bündeln. Verwenden Sie den Kabelführungsarm zur Aufnahme der Kabel, indem Sie die Kabel durch den oberen und unteren Kabeltunnel führen.



ANMERKUNG: Sie können den Kabelführungsarm an beiden Seiten des Racks befestigen. Wenn Sie den Kabelführungsarm auf der rechten Seite des Racks installieren, können Sie beide Kabeltunnel öffnen, ohne den Kabelführungsarm bewegen zu müssen. Wenn Sie den Kabelführungsarm auf der linken Seite installieren, müssen Sie ihn zum Öffnen der Kabeltunnel nach außen zu sich hin schwenken.



ANMERKUNG: Wenn Sie den Kabelführungsarm auf der linken Seite des Racks installieren, müssen Sie vor dem Entfernen des Netzteils die untere Freigabeklinke am Kabelführungsarm trennen.



ANMERKUNG: Der Kabelführungsarmhalter wird auf der Seite angebracht, die dem Befestigungspunkt des Kabelführungsarms gegenüber liegt.

Anbringen der Kabelablage

So bringen Sie die Kabelablage auf der Rückseite des Systems an:

- 1 Lokalisieren Sie die Aufnahmeschlitz an der linken und rechten Systemaußenkante und die entsprechenden Metallzungen am linken und rechten Rand der Kabelablage (siehe Abbildung 1-8).
- 2 Führen Sie die Metallzungen in die entsprechenden Aufnahmeschlitz am System ein und bringen Sie die Kabelablage in die Einbauposition.
- 3 Drücken Sie die Rändelschraube an der Kabelablage nach unten und ziehen Sie sie fest, um die Kabelablage am System zu sichern (siehe Abbildung 1-8).



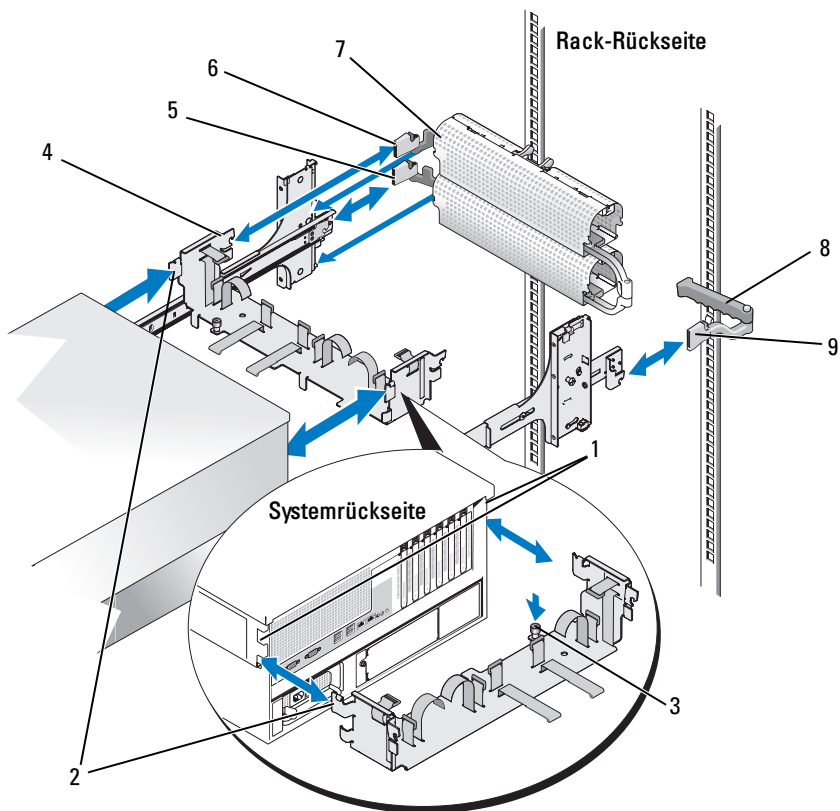
VORSICHT: Die Kabelablage trägt nicht das Gewicht des Systems. Heben Sie das System nicht an der Kabelablage an. Heben Sie das System nur an den Gehäusekanten an.

Befestigen des Kabelführungsarms

So befestigen Sie den Kabelführungsarm:

- 1 Verbinden Sie die obere Aufnahme am Kabelführungsarm mit der Lasche an der Kabelablage (siehe Abbildung 1-8).
- 2 Verbinden Sie die untere Aufnahme am Kabelführungsarm mit der Lasche am äußeren Schienensatz (siehe Abbildung 1-8).

Abbildung 1-8. Kabelablage



- | | | | | | |
|---|---|---|---|---|------------------------------------|
| 1 | Aufnahmeslitze am System | 2 | Metallzungen (zum Befestigen der Kabelablage am System) | 3 | Rändelschraube |
| 4 | Metallzungen (zum Befestigen der Kabelablage am Kabelführungsarm) | 5 | Untere Aufnahme am Kabelführungsarm | 6 | Obere Aufnahme am Kabelführungsarm |
| 7 | Kabelführungsarm | 8 | Kabelführungsarmhalter | 9 | Aufnahme am Kabelführungsarmhalter |


Befestigen des Statusanzeigekabels

- 1 Stecken Sie gegebenenfalls das Kabel der Systemstatusanzeige auf der Rückseite des Systems ein (siehe Abbildung 1-9).
- 2 Öffnen Sie beide Kabeltunnel am Kabelführungsarm, indem Sie jeweils die Verriegelungen auf den Kabeltunneln zusammendrücken. Die Kabeltunnel öffnen sich und ermöglichen das Verlegen der Kabel (siehe Abbildung 1-9).
- 3 Verlegen Sie das Systemstatusanzeigekabel im Kabelführungsarm durch den oberen Kabeltunnel und dann durch den unteren Kabeltunnel. Befestigen Sie das LED-Ende des Systemstatusanzeigekabels in einer der entsprechenden Aussparungen am Kabelführungsarm (siehe Abbildung 1-9).


Verlegen der Kabel

- 1 Verbinden Sie die Daten- und Stromversorgungskabel mit den entsprechenden Anschlüssen auf der Rückseite des Systems.


Ausführliche Informationen zu Kabelverbindungen finden Sie in der *Getting Started Guide* (Anleitung „Erste Schritte“) und im *Hardware Owner's Manual* (Hardware-Benutzerhandbuch).

 **ANMERKUNG:** Verwenden Sie die Kabelhalteklammern (falls vorhanden) auf der Rückseite der Netzteile, um die Netzstromkabel zu entlasten.

- 2 Bündeln Sie alle Kabel mit den Kabelbindern an der Kabelablage zusammen (siehe Abbildung 1-9).

 **ANMERKUNG:** Um ein Durchhängen des Kabelführungsarms zu vermeiden, müssen Sie unbedingt den oberen Kabelbinder an der Kabelablage verwenden, der sich auf der gleichen Seite wie der Kabelführungsarm befindet (siehe Abbildung 1-9).

- 3 Falls noch nicht geschehen, öffnen Sie beide Kabeltunnel des Kabelführungsarms, indem Sie jeweils die Verriegelungen zusammendrücken. Die Kabeltunnel öffnen sich und ermöglichen das Verlegen der Kabel (siehe Abbildung 1-9).
- 4 Verlegen Sie die Kabel durch den oberen Kabeltunnel und dann durch den unteren Kabeltunnel des Kabelführungsarms.

 **ANMERKUNG:** Zur ordnungsgemäßen Installation der Kabel müssen diese zunächst durch den oberen Kabeltunnel und dann durch den unteren Kabeltunnel geführt werden.

- 5 Schließen Sie die Kabeltunnel.
- 6 Lösen Sie die Rändelschrauben, mit denen die Systemfrontplatte an der vorderen vertikalen Schiene befestigt ist.
- 7 Bewegen Sie das System im Rack vor und zurück, um zu überprüfen, ob die Kabel korrekt verlegt sind und bei Bewegung des Kabelführungsarms nicht eingeklemmt, gedehnt oder gequetscht werden. Passen Sie gegebenenfalls die Lage der Kabel in den Kabeltunneln an.


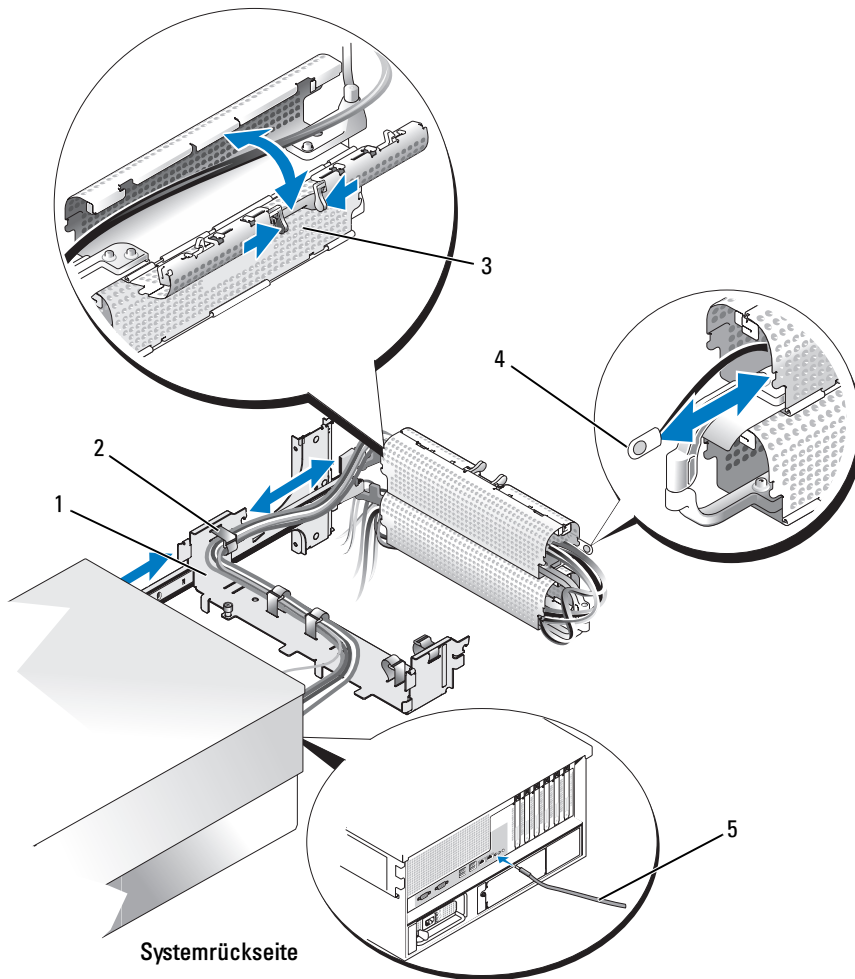
 **ANMERKUNG:** Wenn Sie das System vollständig herausziehen, werden die Montageschienen in der ausgezogenen Position verriegelt. Um die Sperre zu entriegeln, drücken Sie die Sperrklinke auf der Seite des Schienensatzes, und schieben Sie dann das System in das Rack.

Abbildung 1-9. Kabel verlegen




- | | | | | | |
|---|---------------------|---|---------------------------------------|---|---------------------------|
| 1 | Kabelablage | 2 | Kabelbinder | 3 | Abdeckung auf Kabeltunnel |
| 4 | Systemstatusanzeige | 5 | Stecker des Systemstatusanzeigekabels | | |

Befestigen des Kabelführungsarmhalters

Mit dem Kabelführungsarmhalter wird der Kabelführungsarm in Position gehalten. So befestigen Sie den Kabelführungsarmhalter:

- 1 Verbinden Sie die Aufnahme am Kabelführungsarmhalter mit der Lasche am äußeren Schienensatz. Siehe Abbildung 1-10.

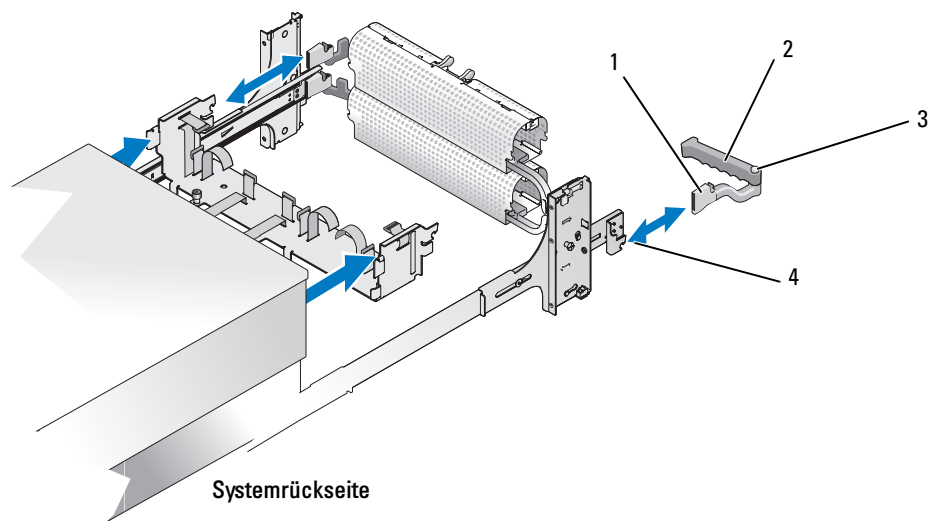
 **ANMERKUNG:** Der Kabelführungsarmhalter wird auf der Seite angebracht, die dem Befestigungspunkt des Kabelführungsarms gegenüber liegt (siehe Abbildung 1-10).

- 2 Klappen Sie den Kabelführungsarmhalter bis zum Einrasten hinter den Kabelführungsarm.

So entsperren Sie den Kabelführungsarmhalter:

- 1 Drücken Sie auf die blaue Taste am Kabelführungsarmhalter und heben Sie dabei den Arm der Klammer an.
- 2 Schwenken Sie den Arm der Klammer in die geöffnete Position.

Abbildung 1-10. Kabelführungsarmhalter



- | | | | | | |
|---|------------------------------------|---|------------------------|---|-------------|
| 1 | Aufnahme am Kabelführungsarmhalter | 2 | Kabelführungsarmhalter | 3 | Blaue Taste |
| 4 | Metallzunge | | | | |




Wiederanbringen der Rack-Türen

Siehe die Vorgehensweise zum Einsetzen der Türen in der Rack-Dokumentation.

Damit ist die Installation des Systems im Rack abgeschlossen.

ラック取り付けガイド

メモ、注意、警告

-  **メモ**：コンピュータを使いやすくするための重要な情報を説明しています。
-  **注意**：ハードウェアの損傷やデータの損失の可能性を示し、その危険を回避するための方法を説明しています。
-  **警告**：物的損害、けが、または死亡の原因となる可能性があることを示します。

本書の内容は予告なく変更されることがあります。
© 2005 すべての著作権は Dell Inc. にあります。

Dell Inc. の書面による許可のない複製は、いかなる形態においても厳重に禁じられています。

本書で使用されている商標について：RapidRails および VersaRails は Dell Inc. の商標です。

本書では、必要に応じて上記以外の商標や会社名が使用されている場合がありますが、これらの商標や会社名は、一切 Dell Inc. に所属するものではありません。

目次

警告：安全にお使いいただくための注意	69
安全について：システムのラックへの取り付け	69
取り付けに関する一般的なガイド	70
作業を開始する前に	70
取り付け手順	71
推奨する工具および備品	72
ラックキットの内容	72
ラック扉の取り外し	73
ラックへの印付け	74
スライドレールアセンブリの構成	76
ラックへのマウントレールの取り付け	77
RapidRails の取り付け	77
VersaRails の取り付け	78
ラックへのシステムの取り付け	80
ケーブルマネジメント	81
ケーブルトレイの取り付け	81
ケーブルマネジメントアームの取り付け	82
システムステータスインジケータケーブルの取り付け	83
ケーブルの配線	83
ケーブルマネジメントアーム固定装置の取り付け	85
ラック扉の取り付け	85

⚠ 警告：安全にお使いいただくための注意

ご自身の身体の安全を守り、システムおよび作業環境を保護するために、以下の安全に関するガイドラインに従ってください。安全および規制の詳細については、システムに付属の『製品情報ガイド』を参照してください。保証に関する情報は、『サービス&サポートのご案内』を参照してください。

安全について：システムのラックへの取り付け

ラックの安定性や安全性に関して、以下の点にご注意ください。また、特定の注意文および手順については、システムおよびラック付属のラック取り付けマニュアルを参照してください。

システムはラックの一部とみなします。したがって、「コンポーネント」には、さまざまな周辺機器やサポートハードウェアと同様に、システムも含まれます。

⚠ **警告：単体ラックでは正面と側面のスタビライザ、連結ラックでは正面のスタビライザを取り付けてからラックにシステムを取り付けてください。スタビライザを正しく取り付けずにシステムをラックに取り付けると、ラックが転倒し、けがをするおそれがあります。必ずスタビライザを取り付けてから、ラックにコンポーネントを取り付けてください。**

⚠ **警告：ラックにシステム/コンポーネントを取り付けた後は、一度に2台以上のコンポーネントをスライドアセンブリのラックから引き出さないでください。重みでラックが転倒し、大けがをするおそれがあります。**

📌 **メモ：**ご使用のシステムは、独立型のユニットとして、また、カスタマーラックキットで構成される Dell ラックキャビネットに取り付けるコンポーネントとして、その安全性が保証されています。それ以外のラックキャビネットにシステムおよびラックキットを取り付ける場合は、安全性が保証されません。最終的に組み合わせたシステムおよびラックについては、ユーザーの責任において、適用される安全基準および地域の電気規約の要件に適合することを確認してください。デルでは、このような組み合わせに関連するいかなる保証責任も負いません。

- システムラックキットは、トレーニングを受けたサービス技術者がラックに取り付けます。キットを別のラックに取り付ける場合は、そのラックがデルのラック仕様に適合していることを確認してください。


⚠ **警告：大型ラックを1人で移動しないでください。ラックの高さと重さを考慮して、少なくとも2人以上でラックを移動することをお勧めします。**


- ラックで作業をする前に、スタビライザがラックに固定されて床面に伸び、ラックの全重量が床面にかかっていることを確認してください。ラックで作業をする前に、ラックが1つの場合は正面と側面のスタビライザ、複数のラックを連結する場合は正面のスタビライザを取り付けます。
- ラックには必ず下から上へと、最も重いものから順に設置してください。
- コンポーネントをラックから引き出す前に、ラックが水平で安定していることを確認してください。
- レールリリースラッチを押してコンポーネントをラックから出し入れするときは、スライドレールに指をはさまれないように注意してください。

- ラックに電力を送る AC 分岐回路に過重電流を流さないでください。ラックの総負荷が分岐回路定格の 80% を超えないようにしてください。
- ラック内のコンポーネントが十分に通気されることを確認してください。
- ラックに取り付けたコンポーネントの作業中に、他のコンポーネントの上に乗ったり、足をかけたりしないでください。


取り付けに関する一般的なガイド

本書は、トレーニングを受けたサービス技術者が、オープンフレームリレーラックやラックキャビネットに 1 台または複数のシステムを取り付ける作業を行う場合の手順書です。RapidRails™ ラックキットは、角型の穴を使用するメーカーのラックキャビネットに、工具を使わずに取り付けることができます。VersaRails™ ラックキットは、角型または丸型の穴を使用する、業界規格に適合しているほとんどのキャビネットに取り付けることができます。RapidRails ラックキットと VersaRails ラックキットの取り付け手順はほとんど同じです。ラックキャビネットに取り付けるシステム 1 基ごとにラックキット 1 セットが必要です。

 **警告：**別のシステム用に設計されたラックキットのコンポーネントは取り付けしないでください。ご使用のシステム用のラックキットのみをお使いください。別のシステム用のラックをご使用になると、システムの損傷やけがを招くおそれがあります。


 **メモ：**ご使用のシステムがタワー型の場合は、タワー - ラック転換キットを取り付けてください。このキットの取り付け手順については別のマニュアルで説明しています。


RapidRails ラックキットは、統一規格に適合しているほとんどのラックキャビネットに取り付けることができます。

 **注意：**VersaRails ラックキットは、米国規格協会 (ANSI) / 米国電子工業会 (EIA) 規格 ANSI/EIA-310-D-92、国際電気標準会議 (IEC) 297、ドイツ工業規格 (DIN) 41494 の仕様を満たすラックについてトレーニングを受けたサービス技術者が取り付けできるように設計されています。ラックキットは、ラックに取り付けるシステム 1 基につき 1 セット必要です。

作業を開始する前に


システムをラックに取り付ける作業を始める前に、「警告：安全にお使いいただくための注意」(69 ページ) と、『製品情報ガイド』に記載された安全に関する注意をよく読んでください。

 **警告：**複数のシステムをラックに取り付ける場合は、1 台のシステムの手付け手順を完了してから、次のシステムの手付けに進んでください。


 **警告：**ラックキャビネットはサイズが非常に大きく重量もあるため、キャスターで簡単に移動できるようになっています。このキャスターにはブレーキがありません。ラックキャビネットを移動するときは十分な注意が必要です。ラックキャビネットを別の場所に移動するときは、水平調節用の脚を収納してください。長い傾斜面、急勾配のある場所、スロープなど、バランスが取りにくい場所にはキャビネットを設置しないでください。水平調節用の脚を伸ばしてキャビネットを支え、キャビネットが動かないようにしてください。


安全に関する重要な注意

システムをラックに取り付けるときは、次の各項の安全に関する注意を遵守してください。

 **警告：** 作業者は、自分自身と周囲の人々を保護するために、本書の手順に必ず従ってください。本システムは非常に重量があり大きいため、自分自身や関係者のけがを防ぐために準備と計画を適切に行うことが重要です。この注意は、特にシステムをラックの高い位置に取り付ける場合に重要になります。

ラックスタビライザ

 **警告：** 単体ラックでは正面と側面のスタビライザ、連結ラックでは正面のスタビライザを取り付けてからラックにシステムを取り付けてください。スタビライザを正しく取り付けずにシステムをラックに取り付けると、ラックが転倒し、けがをするおそれがあります。必ずスタビライザを取り付けてから、ラックにコンポーネントを取り付けてください。

 **警告：** ラックにシステム/コンポーネントを取り付けた後は、一度に2台以上のコンポーネントをスライドアセンブリのラックから引き出さないでください。重みでラックが転倒し、大けがをするおそれがあります。

スタビライザは、スライドアセンブリが伸びきった状態でラックからシステムやその他のコンポーネントを引き出す際に、ラックの転倒を防ぎます。スタビライザの取り付けおよび固定手順については、ラックキャビネットに付属のマニュアルを参照してください。

取り付け手順

ラックキットを取り付けるには、次の手順（以降の各項で詳細を説明）を番号順に実行します。

- 1 ラック扉の取り外し（必要な場合）
- 2 ラックへの印付け（必要な場合）
- 3 スライドレールアセンブリの構成
- 4 ラックへのマウントレールの取り付け
 - RapidRails の取り付け
 - VersaRails の取り付け
- 5 ラックへのシステムの取り付け
- 6 ケーブルトレイの取り付け
- 7 ケーブルマネージメントアームの取り付け
- 8 ケーブルの配線
- 9 ケーブルマネージメントアーム固定装置の取り付け
- 10 ラック扉の取り付け（必要な場合）

推奨する工具および備品

- A #2 プラスドライバ (VersaRails のみ)
- マスキングテープまたはフェルトペン (取り付け穴に印を付けるときに使用)
- 定規または巻尺

ラックキットの内容

ラックキットには、以下の部品が含まれています (図 1-1 を参照)。

- 回転ブラケット付きマウントレール 1 組



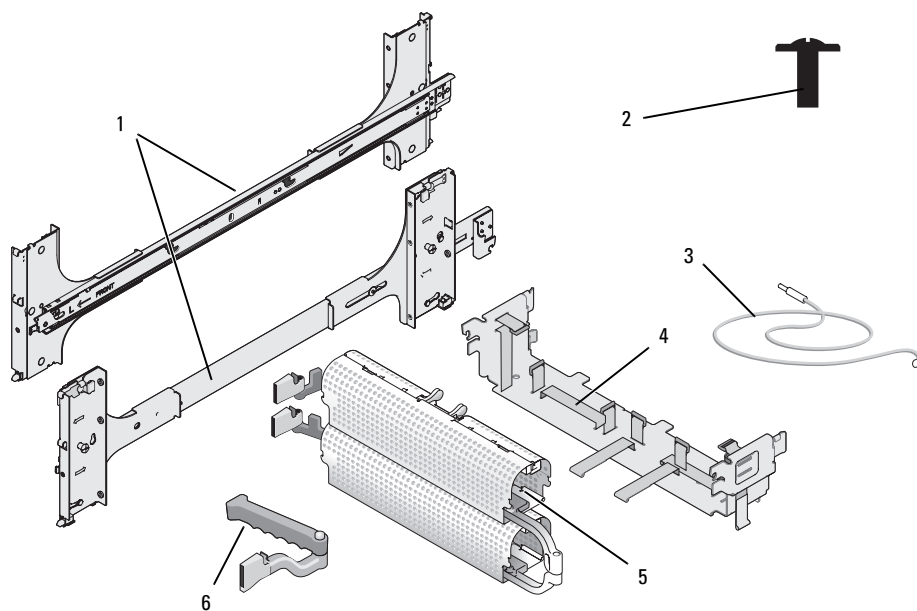
メモ: 回転ブラケットを使用して、スライドレールアセンブリを RapidRails または VersaRails として構成できます。

- ケーブルトレイ 1 個
- ケーブルマネージメントアーム 1 本
- ケーブルマネージメントアーム固定装置 1 個
- ステータスインジケータケーブル 1 本 (必要な場合)
- 10-32 x 0.5 インチフランジヘッドプラスネジ 8 本



メモ: 図と手順の説明に示すメートル法規格以外のネジは、サイズとインチ当たりのネジ山数で表記されています。たとえば 1 インチに 32 本のネジ山がある #10 プラスネジは、10-32 ネジと表記します。

図 1-1 ラックキットの内容



- | | | | | | |
|---|-----------------|---|--|---|-----------------------------|
| 1 | マウントレール | 2 | 10-32 x 0.5 インチフランジ
ヘッドプラスネジ (8)
(VersaRails のみ) | 3 | ステータスインジケータ
ケーブル (必要な場合) |
| 4 | ケーブルトレイおよびタイラップ | 5 | ケーブルマネジメントアーム | 6 | ケーブルマネジメント
アーム固定装置 |

ラック扉の取り外し

ラックキャビネットに付属のマニュアルに記載されている扉の取り外し手順を参照してください。


⚠ 警告：ラックキャビネットの扉の大きさと重さを考慮して、取り付けおよび取り外しは1人では行わないでください。

⚠ 警告：取り外した扉は、不意に倒れてけがをしないような場所に保管してください。

ラックへの印付け

5 ラックユニット (5 U) システムでは、ラックに取り付ける各システムの上下に 5 U (222 mm) の空間を空ける必要があります (図 1-2 を参照)。

EIA-310 規格を満たすラックキャビネットには、1 ラックユニット (1 U) ごとに 3 つの穴が交互に並んでいます。穴の中心から中心までの距離は、前面および背面垂直レールの 1 U スペースの一番上の穴から計測して 15.9 mm、15.9 mm、12.7 mm となっています (図 1-2 を参照)。ラックキャビネットの穴には丸型または角型があります。

 **メモ：** 垂直レールには、1 U 間隔の水平の線と数字で印が付いていることがあります。ラックの垂直レールについている印の番号を控える方法もあるので、ラックに印を付けたりテープを貼る作業は必須ではありません。


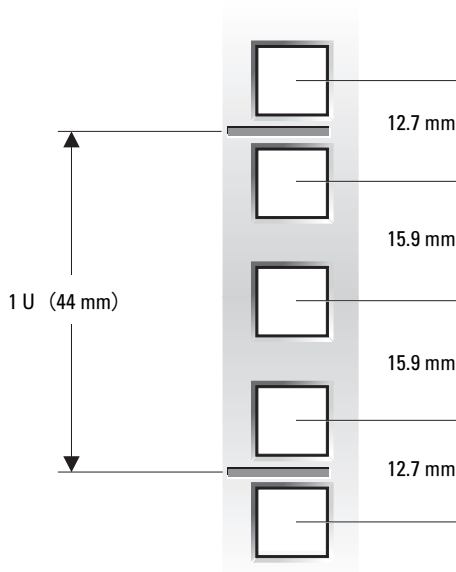

 **メモ：** ラックにすでに印が付けられている場合は、この手順は必要ありません。

図 1-2 1 ラックユニット (1 U)

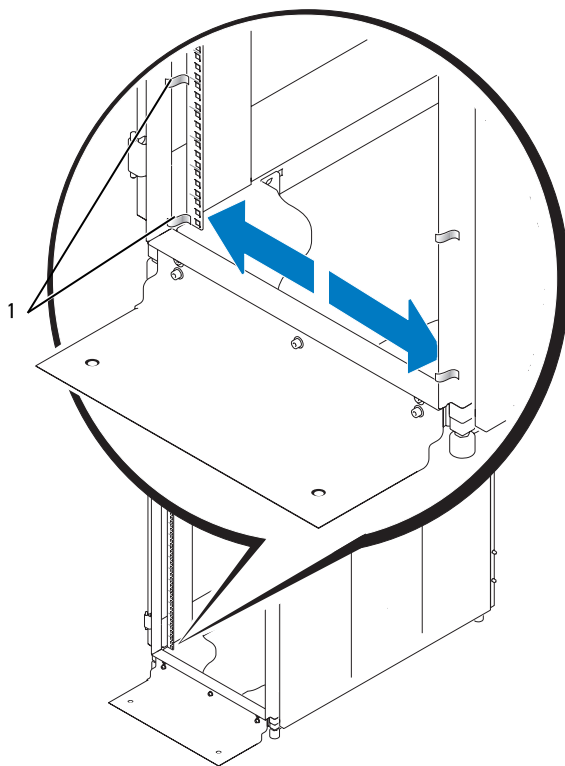


 **警告：** 複数のシステムを取り付ける場合は、ラックの最下段に 1 基目のシステムを取り付けられるように、スライドレールアセンブリを取り付けてください。

ラックに印を付けるには、次の手順を実行します。

- 1 ラックの前面垂直レール上で、ラックキャビネットに取り付けるシステムの底部の位置を決め、印を付けます。
底部にあたる各 1 U スペースの位置は、穴と穴の間が狭い方の金属部分の中央です（横線で印が付いているラックキャビネットもあります。図 1-3 を参照）。
- 2 最初に印を付けた場所から約 22 cm 上（EIA-310 規格に適合したラックであれば、15 個上の穴）に印を付け、ラックの前面垂直レールにフェルトペンやマスキングテープで印を付けます（穴の数で測った場合は一番上の穴の真上に印を付けます）。垂直レール上のこのマークまたはテープが、システムの上端の位置を示します（図 1-3 を参照）。

図 1-3 垂直レールの印付け



1 垂直レールに貼ったテープ

スライドレールアセンブリの構成

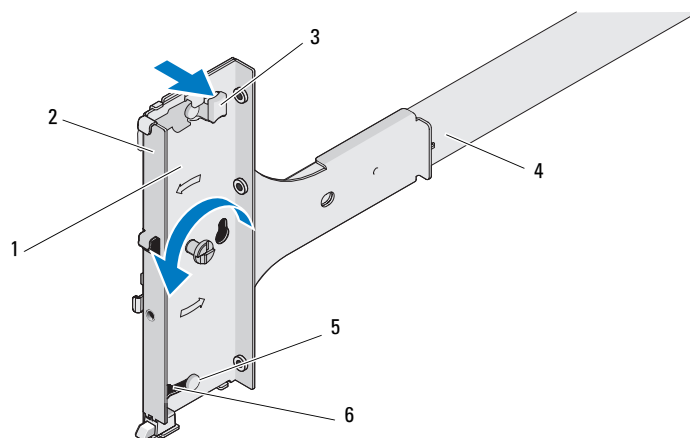
マウントレール上の回転取り付けブラケットにより、スライドレールアセンブリを RapidRails または VersaRails として構成できます。RapidRails 構成の取り付けブラケットフランジには、2 つのフックと 1 つの押しボタンがあります (図 1-5 を参照)。VersaRail 上の取り付けブラケットフランジには、3 つの穴があります (図 1-6 を参照)。

メモ：ラックキットは、RapidRails 構成のスライドレールアセンブリに付属しています。

取り付けブラケットを回転させて、マウントレールを RapidRails から VersaRails に変更するには、以下の手順を実行します (図 1-4 を参照)。

- 1 回転取り付けブラケットのリリースレバーを押し上げます。
- 2 ブラケットを回転させ、スライドさせて 2 つの肩付き突起から取り外します。
- 3 肩付き突起が切り込みに再び入るまで、ブラケットをさらに 180 度回転させます。
- 4 所定の位置にカチッとハマるまで、ブラケットを反対方向に回転させて肩付き突起上に戻します。


図 1-4 取り付けブラケットの回転



- | | | |
|---------------|--|-----------|
| 1 回転取り付けブラケット | 2 取り付けブラケットフランジ
(図は RapidRails バージョン) | 3 リリースレバー |
| 4 マウントレール | 5 肩付き突起 | 6 切り込み |

ラックへのマウントレールの取り付け

RapidRails の取り付け

 **メモ**：マウントレール上の回転取り付けブラケットが、図 1-5 に示すように RapidRail 構成になっていることを確認します。

- 1 ラックキャビネットの前面で、フランジが垂直レールに付けた印または数えた穴の位置の間のスペースに収まるように、1 つ目のマウントレールの位置を合わせます（「ラックへの印付け」(74 ページ) を参照）。
- 2 上部取り付けフックを垂直レール上の一番上の印のすぐ下の角型の穴に差し込み、次の取り付けフックを対応する角型の穴に差し込みます（図 1-5 を参照）。
- 3 フランジを押し下げ、RapidRail の前面を垂直レールにしっかり固定します。このとき、取り付けフランジの下にある押しボタンが垂直レール上の対応する角型の穴にはまります（図 1-5 を参照）。
- 4 キャビネットの背面で、取り付けフックを背面垂直レール上の対応する角型の穴に差し込み、取り付けフックと押しボタンが所定の位置に収まるまで、フランジを押し下げます。
- 5 ラックの反対側のレールで、手順 1～4 を繰り返します。


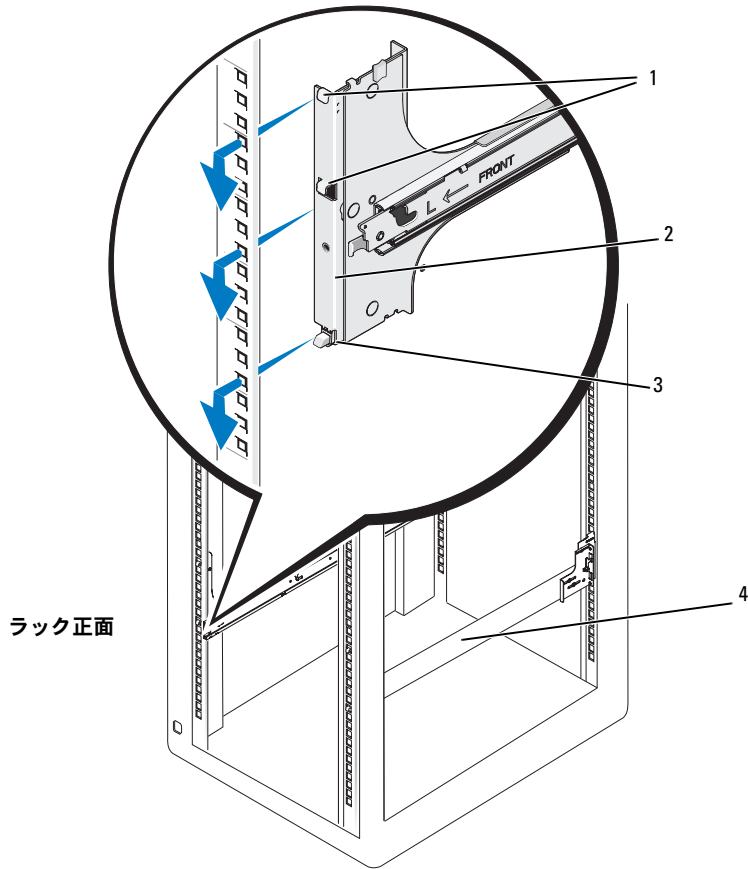
 **メモ**：左右の垂直レールで、マウントレールが同じ高さに取り付けられていることを確認します。

図 1-5 RapidRails の取り付け



- 1 取り付けフック 2 取り付けブラケットフランジ 3 押しボタン
4 マウントレール

VersaRails の取り付け

メモ： マウントレール上の回転取り付けブラケットが、図 1-6 に示すように VersaRail 構成になっていることを確認します。「スライドレールアセンブリの構成」(76 ページ) を参照してください。

- 1 ラックキャビネットの前面で、フランジが垂直レールに付けた印または数えた穴の位置の間のスペースに収まるように、1 つ目のマウントレールの位置を合わせます (「ラックへの印付け」(74 ページ) を参照)。
- 2 10-32 x 0.5 インチフランジヘッドプラスネジを、取り付けフランジの一番上と下の穴に差し込みます (図 1-6 を参照)。


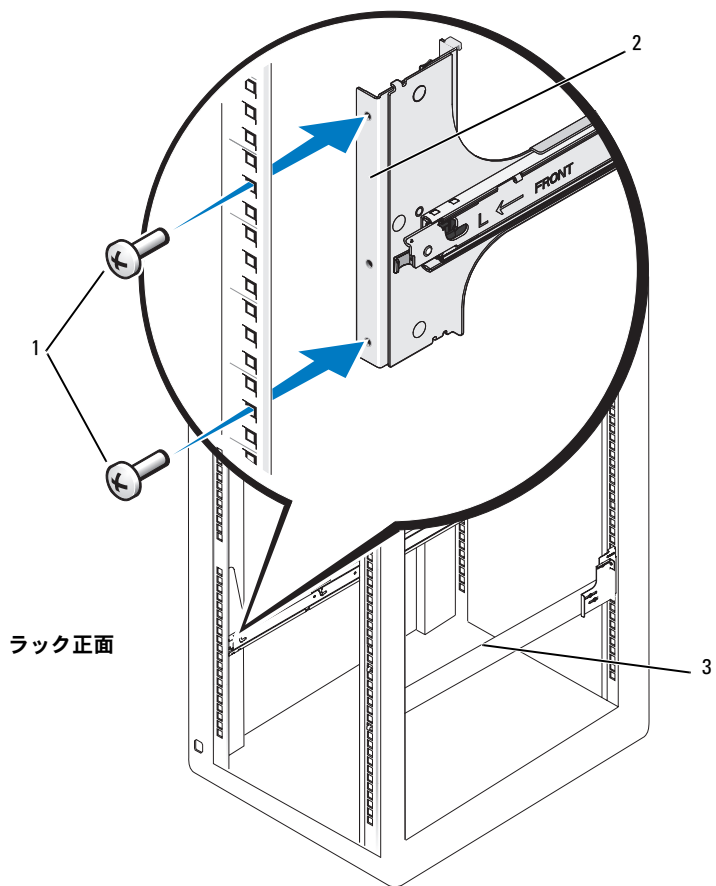
- 3 キャビネットの背面から、取り付けブラケットフランジを後ろに引いて、取り付け穴を背面垂直レールのそれぞれ対応する穴に合わせます。
 - 4 10-32 x 0.5 インチフランジヘッドプラスネジを背面取り付けブラケットフランジの上と下の穴に差し込んで、マウントレールを背面垂直レールに固定します。
 - 5 ラックの反対側のレールで、手順 1～4 を繰り返します。
-  **メモ**：左右の垂直レールで、マウントレールが同じ高さに取り付けられていることを確認します。

図 1-6 VersaRails の取り付け



- 1 フランジヘッドプラスネジ 2 取り付けブラケットフランジ 3 マウントレール

ラックへのシステムの取り付け

⚠ 警告：複数のシステムを取り付ける場合は、1台目のシステムをラックの使用可能な最下段に取り付けてください。

⚠ 警告：システムの大きさと重さを考慮して、マウントレールへのシステムの取り付けは1人では行わないでください。

⚠ 警告：一度に複数のシステムをラックから引き出さないでください。

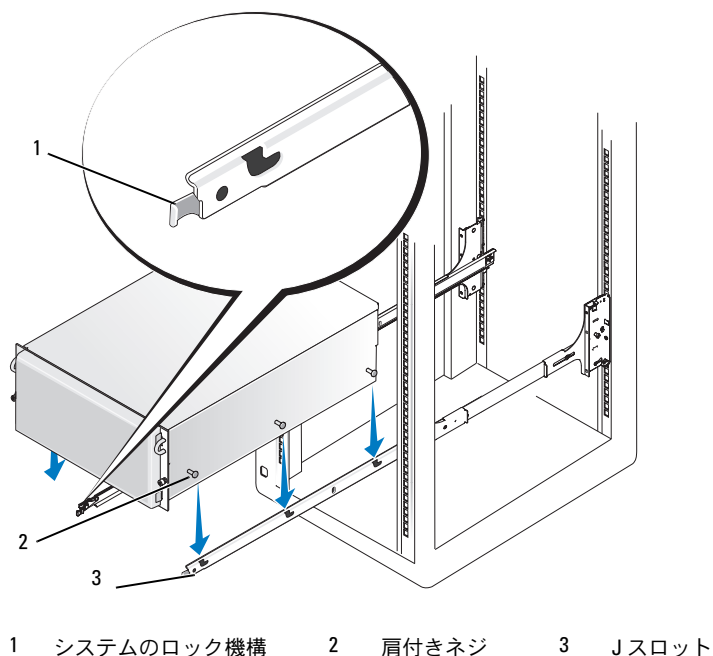
- 1 2つの内部スライドアセンブリをラックから引き出し、一番外側の位置でロックします。
- 2 スライドアセンブリに載せられる高さまでシステムを持ち上げます。

最低2人で、各自が一方の手でシステム前部の底を、もう一方の手でシステム後部の底を持ちます。

システムの両側に3本ずつある肩付きネジを内部スライドアセンブリの対応するJスロットに差し込みます（図1-7を参照）。

- 3 システムの側面にある後部肩付きネジを、スライドアセンブリの背面Jスロットに合わせながら、システム背面を下げます。


図1-7 ラックへのシステムの取り付け





- 4 後部肩付きネジをそれぞれのJスロットにはめ込みます。
- 5 システム前面を下げて、中央と前部の肩付きネジをそれぞれ対応するJスロットに差し込みます。
- 6 システムをマウントレールの内側に押し込みます。スライドがシステムに完全に固定されると、システムのロック機構がカチッとハマります。
- 7 スライドアセンブリの側面にあるリリースラッチを押し、システムをロックに押し込みます。
- 8 システムの正面パネルにある蝶ネジを締めてシステムをロックに固定します。

ケーブルマネージメント

ケーブルトレイとケーブルマネージメントアームを使用して、システムの I/O ケーブルと電源ケーブルを管理します。ケーブルトレイのタイラップを使用してケーブルを束にします。ケーブルマネージメントアームを使用して上下のワイヤーバスケットを通して配線することで、ケーブルをまとめます。

 **メモ：**ケーブルマネージメントアームは、ラックキャビネットの左右どちら側にも取り付けることができます。ケーブルマネージメントアームをラックキャビネットの右側に取り付けの場合は、ケーブルマネージメントアームを動かさずに両方のケーブルバスケットを開くことができます。左側に取り付けの場合は、ケーブルバスケットを開くにはケーブルマネージメントアームを手前に回転させる必要があります。


 **メモ：**ケーブルマネージメントアームをラックの左側に取り付けの場合は、ケーブルマネージメントアームの下側のリリースラッチを取り外してからでないと電源装置を取り外すことができません。

 **メモ：**ケーブルマネージメントアーム固定装置は、ケーブルマネージメントアームとは反対側に取り付けます。

ケーブルトレイの取り付け

ケーブルトレイをシステムの背面に取り付けるには、以下の手順を実行します。

- 1 システム左右の外側にあるタブスロットと、ケーブルトレイの左右にある金属製タブの位置を確認します（図 1-8 を参照）。
- 2 ケーブルトレイの金属製タブをシステムのタブスロットの位置に合わせて挿入し、ケーブルトレイを押し込んで固定します。
- 3 ケーブルトレイの拘束蝶ネジを押し下げて締め、システムに固定します（図 1-8 を参照）。

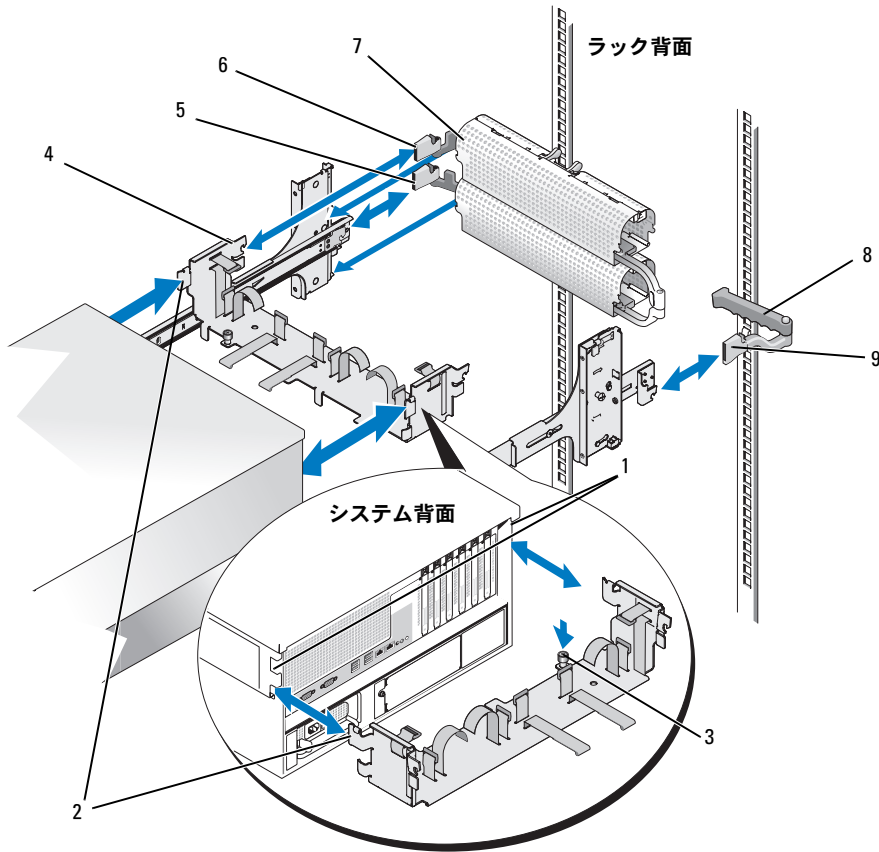
 **警告：**ケーブルトレイは、システムの重量を支えきれません。システムを持ち上げるときはケーブルトレイを持たないでください。システムを持ち上げる際は、必ずシャーシの端を持ってください。

ケーブルマネージメントアームの取り付け

ケーブルマネージメントアームは以下の手順で取り付けます。

- 1 ケーブルマネージメントアームの上部リリースラッチをケーブルトレイのタブに接続します (図 1-8 を参照)。
- 2 ケーブルマネージメントアームの下部リリースラッチを外部スライドアセンブリのタブに接続します (図 1-8 を参照)。

図 1-8 ケーブルマネージメント



- | | | |
|-------------------------------------|----------------------------|------------------------------|
| 1 システムのタブスロット | 2 金属製タブ (ケーブルトレイをシステムに接続) | 3 拘束蝶ネジ |
| 4 金属製タブ (ケーブルトレイをケーブルマネージメントアームに接続) | 5 ケーブルマネージメントアームの下部リリースラッチ | 6 ケーブルマネージメントアームの上部リリースラッチ |
| 7 ケーブルマネージメントアーム | 8 ケーブルマネージメントアーム固定装置 | 9 ケーブルマネージメントアーム固定装置のリリースラッチ |


システムステータスインジケータケーブルの取り付け

- 1 必要に応じて、システムステータスインジケータケーブルのプラグをシステムの背面パネルに接続します（図 1-9 を参照）。
- 2 各バスケットのリリースラッチを挟むように押して、ケーブルマネージメントアームのバスケットを両方とも開きます。バスケットが開いて、アーム内にケーブルを配線できるようになります（図 1-9 を参照）。
- 3 システムステータスインジケータケーブルを、ケーブルマネージメントアームの上のバスケットに、次に下のバスケットにも通します。LED が付いたシステムステータスインジケータケーブルの端をケーブルマネージメントアームのインジケータスロットの 1 つに挿入します（図 1-9 を参照）。


ケーブルの配線

- 1 I/O ケーブルコネクタと電源ケーブルコネクタを、システム背面パネルの各コネクタに接続します。

ケーブル接続の詳細については、ご使用のシステムの『はじめに』と『ハードウェアオーナーズマニュアル』を参照してください。


 **メモ**：電源装置背面にケーブル保持ブラケットがある場合は、それを使用して電源ケーブルのストレーンリリーフに役立てます。

- 2 ケーブルトレイのタイラップを使用して、すべてのケーブルを束にします（図 1-9 を参照）。

 **メモ**：ケーブルマネージメントアームが弛まないようにするには、ケーブルマネージメントアームと同じ側にあるケーブルトレイの上部タイラップを使用することが重要です（図 1-9 を参照）。

- 3 システムステータスインジケータケーブルの配線で開かなかった場合は、各バスケットのリリースラッチを挟むようにして、ケーブルマネージメントアームのバスケットを両方とも開きます。バスケットが開いて、アーム内にケーブルを配線できるようになります（図 1-9 を参照）。

- 4 ケーブルをケーブルマネージメントアームの上のバスケットに、次に下のバスケットにも通します。

 **メモ**：システムケーブルを正しく取り付けるには、最初に上のバスケット、次に下のバスケットにケーブルを通す必要があります。

- 5 ケーブルバスケットを閉じます。
- 6 システムの前面を前面垂直レールに固定している蝶ネジを外します。
- 7 システムをラックから引き出したりラックに押し戻したりして、ケーブルが正しく取り付けられているか、ケーブルマネージメントアームの動きでケーブルが絡まったり、引きつったり、締め付けられなかったりしないか確認します。必要に応じて、ケーブルマネージメントアームのバスケット内のケーブルの位置を調整します。


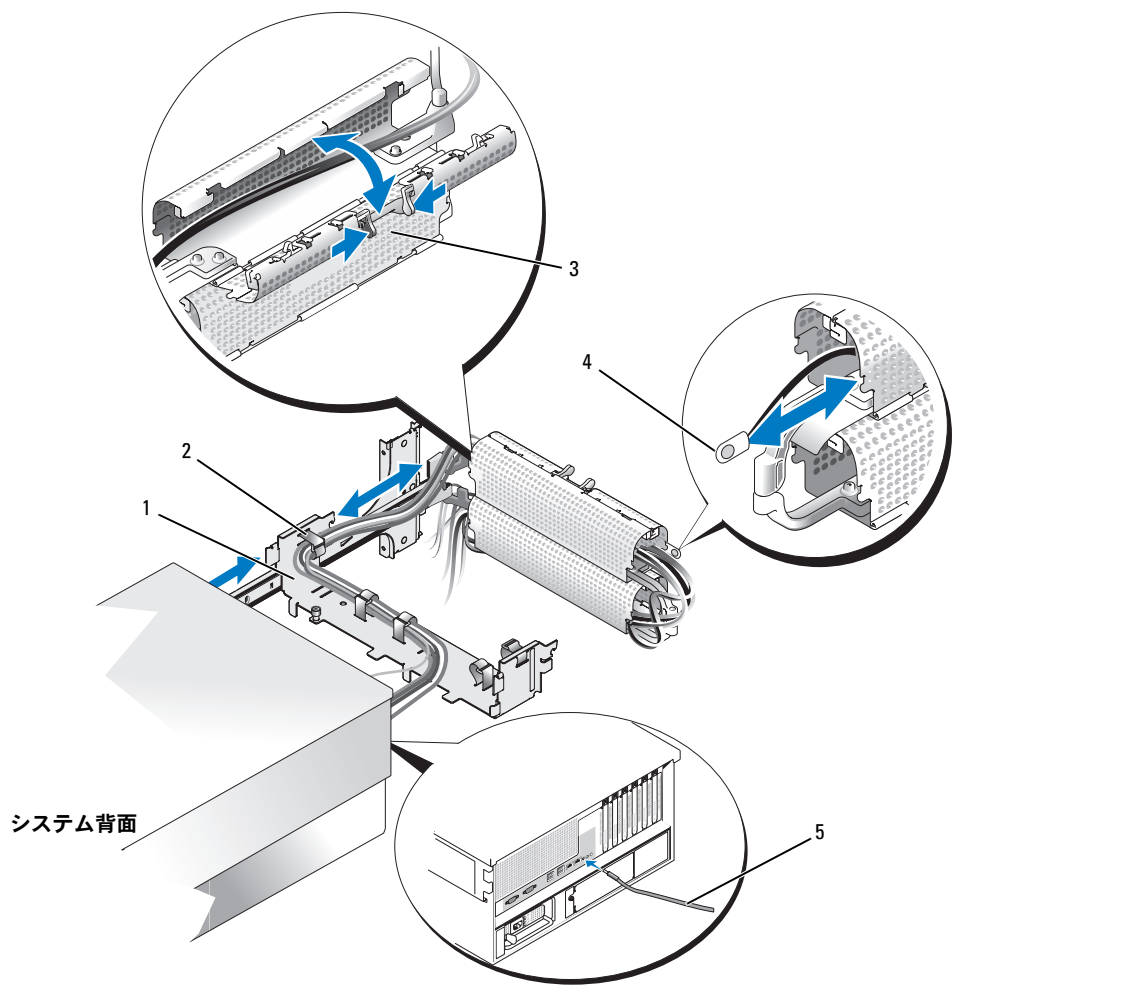
 **メモ**：システムを引き出せる限度まで引き出すと、伸びきった位置でマウントレールにロックがかかります。ロックを解除するには、スライドアセンブリの側面にあるリリースラッチを押しながら、システムをラックに押し込みます。

図 1-9 ケーブルの配線




- | | | |
|-------------------|---------------------------|-----------------|
| 1 ケーブルトレイ | 2 タイラップ | 3 ワイヤーバスケットのカバー |
| 4 システムステータスインジケータ | 5 システムステータスインジケータケーブルのプラグ | |

ケーブルマネージメントアーム固定装置の取り付け

ケーブルマネージメントアーム固定装置により、ケーブルマネージメントアームが所定の位置に保たれます。ケーブルマネージメントアーム固定装置は以下の手順で取り付けます。

- 1 ケーブルマネージメントアーム固定装置のリリースラッチを外部スライドアセンブリのタブに接続します。図 1-10 を参照してください。

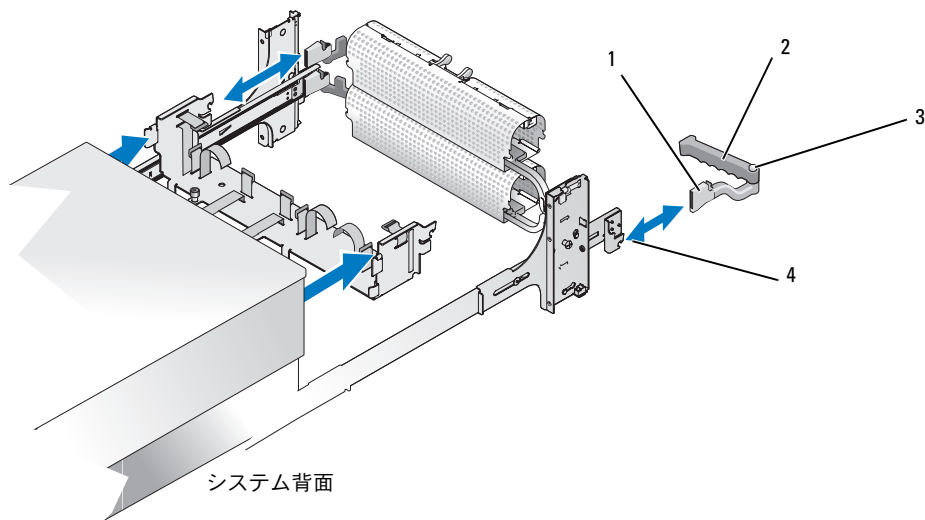
 **メモ：**ケーブルマネージメントアーム固定装置は、ケーブルマネージメントアームとは反対側に取り付けます（図 1-10 を参照）。

- 2 ケーブルマネージメントアームの後ろで所定の位置にロックされるまで、ケーブルマネージメントアーム固定装置を畳みます。

ケーブルマネージメントアーム固定装置のロックを解除するには、以下の手順を実行します。

- 1 固定装置のアームを上げながら、ケーブルマネージメントアーム固定装置の青いボタンを押します。
- 2 固定装置のアームを開く位置に回転させます。

図 1-10 ケーブルマネージメントアーム固定装置



- | | | | | | |
|---|----------------------------|---|--------------------|---|-------|
| 1 | ケーブルマネージメントアーム固定装置のリリースラッチ | 2 | ケーブルマネージメントアーム固定装置 | 3 | 青いボタン |
| 4 | 金属製タブ | | | | |

ラック扉の取り付け

ラックキャビネットに付属のマニュアルに記載されている扉の取り付け手順を参照してください。これでラックへのシステムの取り付けは完了です。

Guía de instalación del rack

Notas, avisos y precauciones



NOTA: una NOTA proporciona información importante que le ayudará a utilizar mejor el ordenador.



AVISO: un AVISO indica la posibilidad de daños en el hardware o la pérdida de datos, e informa de cómo evitar el problema.



PRECAUCIÓN: un mensaje de PRECAUCIÓN indica el riesgo de daños materiales, lesiones o incluso la muerte.

La información contenida en este documento puede modificarse sin previo aviso.

© 2005 Dell Inc. Reservados todos los derechos.

Queda estrictamente prohibida la reproducción de este documento en cualquier forma sin la autorización por escrito de Dell Inc.

Marcas comerciales utilizadas en este texto: *RapidRails* y *VersaRails* son marcas comerciales de Dell Inc.

Otras marcas y otros nombres comerciales pueden utilizarse en este documento para hacer referencia a las entidades que los poseen o a sus productos. Dell Inc. renuncia a cualquier interés sobre la propiedad de marcas y nombres comerciales que no sean los suyos.

Contenido

PRECAUCIÓN: Instrucciones de seguridad	91
SEGURIDAD: Montaje de sistemas en rack	91
Instrucciones generales de instalación	92
Antes de comenzar	92
Tareas de instalación	93
Herramientas y material recomendados	94
Contenido del kit de rack	94
Extracción de las puertas del rack	95
Marcado del rack	96
Configuración de los ensamblajes de rieles deslizantes	98
Instalación de los rieles de montaje en el rack	99
Instalación de RapidRails	99
Instalación de VersaRails	100
Instalación del sistema en el rack	102
Tendido de cables	103
Fijación de la bandeja para cables	103
Fijación del brazo para tendido de cables	104
Fijación del cable de indicador de estado del sistema	105
Cableado	105
Fijación del dispositivo de retención del brazo para tendido de cables	107
Colocación de las puertas del rack	107


PRECAUCIÓN: Instrucciones de seguridad


Siga estas pautas de seguridad para garantizar su propia seguridad y proteger el sistema y el entorno de trabajo frente a posibles daños. Para obtener información completa sobre seguridad y normativas, consulte la *Guía de información del producto* que se entrega con el sistema. La información de la garantía puede incluirse en este documento o en un documento aparte.


SEGURIDAD: Montaje de sistemas en rack

Tenga en cuenta las precauciones siguientes para garantizar la estabilidad y la seguridad del rack. Consulte también la documentación de instalación del rack incluida con el sistema y el rack para ver las instrucciones y procedimientos específicos de precaución.

Los sistemas son considerados como componentes de un rack. Por lo tanto, “componente” se refiere a cualquier sistema, así como a los distintos periféricos o al hardware de soporte.

 **PRECAUCIÓN:** antes de instalar sistemas en un rack, instale los estabilizadores frontales y laterales para racks individuales, o bien los estabilizadores frontales para varios racks unidos. Si no se instalan estabilizadores antes de realizar el montaje de los sistemas, el rack puede volcarse, y ello puede producir lesiones personales. Por lo tanto, instale siempre los estabilizadores antes de instalar los componentes en el rack.

 **PRECAUCIÓN:** después de instalar los sistemas o componentes en un rack, no extraiga más de un componente sobre sus ensamblajes deslizantes a la vez. El peso de más de un componente extendido puede provocar que el rack se vuelque y ello puede producir lesiones graves.

 **NOTA:** este sistema tiene el certificado de seguridad de una unidad independiente y como un componente para uso en un armario rack Dell con el kit de rack para clientes. La instalación del sistema y del kit de rack en otros armarios rack no ha sido aprobada por ninguna agencia de seguridad. Es su responsabilidad asegurarse de que la combinación final de sistema y rack cumpla los estándares de seguridad correspondientes y los requisitos de códigos de electricidad locales. Dell declina todas las responsabilidades y garantías con relación a tales combinaciones.

- Los kits para rack están diseñados para ser instalados en un rack por técnicos de servicio cualificados. Si instala el kit en cualquier otro rack, cerciórese de que éste cumpla las especificaciones de un rack Dell.

 **PRECAUCIÓN:** no mueva los racks sin la ayuda de otra persona. Debido a la altura y el peso del rack, se recomienda un mínimo de dos personas para realizar dicha tarea.

- Antes de manipular el rack, asegúrese de que los estabilizadores estén fijados al rack, que lleguen hasta el suelo y que todo el peso del rack descansa sobre el suelo. Antes de trabajar en el rack, instale los estabilizadores frontales y laterales en caso de un único rack, o bien los estabilizadores frontales en caso de varios racks unidos.
- Cargue siempre el rack desde la parte inferior hacia arriba, colocando en primer lugar el elemento más pesado.
- El rack debe estar nivelado y estable antes de extraer un componente.
- Tenga cuidado al presionar los pestillos de liberación de los rieles de componentes y al extraer o introducir un componente del rack, puesto que sus dedos pueden quedar aprisionados en los rieles deslizantes.

- No sobrecargue el circuito de alimentación de CA que suministra alimentación al rack. La carga total del rack no debe ser superior al 80 por ciento de la corriente nominal del circuito.
- Los componentes del rack deben disponer de una ventilación suficiente.
- No suba sobre ningún componente ni lo utilice como escalón para realizar operaciones en los componentes de un rack.

Instrucciones generales de instalación

En esta guía de instalación se proporcionan instrucciones para técnicos de servicio cualificados que instalen uno o más sistemas en un rack abierto o en un armario rack. El kit de rack RapidRails™ se puede instalar sin herramientas en todos los armarios rack del fabricante que tengan orificios cuadrados, y el kit de rack VersaRails™ se puede instalar en la mayoría de los armarios rack estándar que tengan orificios cuadrados o redondos. Los procedimientos para instalar los kits de rack RapidRails y VersaRails son similares. Para cada sistema montado en el rack se precisa un kit de rack.



PRECAUCIÓN: no instale componentes de kit de rack que estén diseñados para otro sistema. Utilice únicamente el kit de rack correspondiente a su sistema. Si utiliza un kit de rack para otro sistema, pueden producirse daños en el sistema y lesiones personales.



NOTA: si el sistema es una versión en torre, debe instalar un kit de torre a rack. Las instrucciones para montar este kit se incluyen en un documento aparte.

El kit de rack RapidRails se puede montar en la mayoría de los armarios rack estándar.



AVISO: el kit de rack VersaRails lo deben montar únicamente técnicos de servicio cualificados en un rack que cumpla las especificaciones siguientes: American National Standards Institute (ANSI)/Electronic Industries Association (EIA) ANSI/EIA-310-D-92, International Electrotechnical Commission (IEC) 297 y Deutsche Industrie Norm (DIN) 41494. Se precisa un kit de rack para cada sistema que se instale en el rack.

Antes de comenzar

Antes de montar el sistema en el rack, lea detenidamente la sección “PRECAUCIÓN: Instrucciones de seguridad” en la página 91 y las instrucciones de seguridad que se incluyen en la *Guía de información del producto* para obtener información adicional.




PRECAUCIÓN: cuando instale varios sistemas en un rack, realice todos los procedimientos para un sistema antes de instalar el siguiente sistema.




PRECAUCIÓN: los armarios rack pueden ser muy pesados, pero se mueven con facilidad gracias a las ruedas. Los armarios no tienen frenos. Preste extremo cuidado cuando mueva un armario rack. Si traslada el armario rack, pliegue primero los pies niveladores. Evite rampas o inclinaciones largas o pronunciadas para evitar perder el control del armario. Extienda los pies niveladores para sostener el armario y evitar que se desplace.


Información de seguridad importante

Tenga en cuenta las precauciones de seguridad descritas en las secciones siguientes al instalar el sistema en el rack.

 **PRECAUCIÓN:** debe seguir estrictamente los procedimientos que se explican en este documento para protegerse a sí mismo y a otras personas que puedan verse involucradas. El sistema puede tener una envergadura y un peso considerables, por lo que son importantes una preparación y planificación adecuadas para evitar lesiones personales a uno mismo y a otros. Esto es más importante aún cuando se instalan sistemas en la parte alta del rack.

Pies estabilizadores del rack

 **PRECAUCIÓN:** antes de instalar sistemas en un rack, instale los estabilizadores frontales y laterales para racks individuales, o bien los estabilizadores frontales para varios racks unidos. Si no se instalan estabilizadores antes de realizar el montaje de los sistemas, el rack puede volcarse, y ello puede producir lesiones personales. Por lo tanto, instale siempre los estabilizadores antes de instalar los componentes en el rack.

 **PRECAUCIÓN:** después de instalar los sistemas o componentes en un rack, no extraiga más de un componente sobre sus ensamblajes deslizantes a la vez. El peso de más de un componente extendido puede provocar que el rack se vuelque y ello puede producir lesiones graves.

Los pies estabilizadores evitan que vuelque el rack cuando se extrae más de un sistema u otro componente con los ensamblajes deslizantes totalmente extendidos. Consulte la documentación que se facilita con el armario rack para obtener instrucciones sobre la instalación y la fijación de los pies estabilizadores.

Tareas de instalación

La instalación del kit de rack implica realizar las tareas siguientes (que se describen en detalle en las secciones siguientes) en el orden indicado:

- 1 Extracción de las puertas del rack (en caso necesario)
- 2 Marcado del rack (en caso necesario)
- 3 Configuración de los ensamblajes de rieles deslizantes
- 4 Instalación de los rieles de montaje en el rack
 - Instalación de RapidRails
 - Instalación de VersaRails
- 5 Instalación del sistema en el rack
- 6 Fijación de la bandeja para cables
- 7 Fijación del brazo para tendido de cables
- 8 Cableado
- 9 Fijación del dispositivo de retención del brazo para tendido de cables
- 10 Colocación de las puertas del rack (en caso necesario)

Herramientas y material recomendados

- Un destornillador Phillips del n° 2 (sólo VersaRails)
- Cinta adhesiva o un rotulador de punta de fieltro para marcar los orificios de montaje que se utilizarán
- Una regla o cinta métrica

Contenido del kit de rack

El kit de rack incluye los elementos siguientes (vea la figura 1-1):

- Un par de rieles de montaje con soportes giratorios



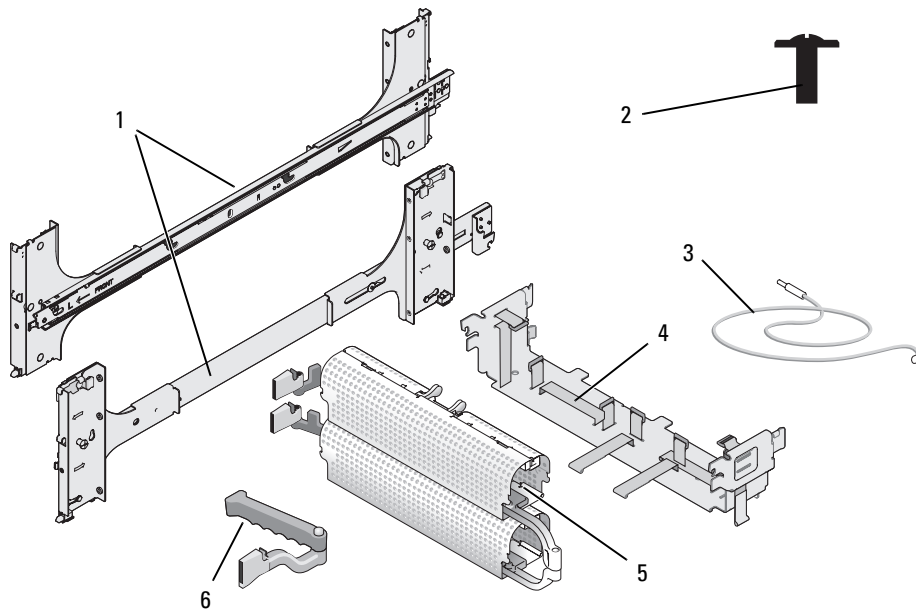
NOTA: puede configurar los ensamblajes de rieles deslizantes como RapidRails o VersaRails con los soportes giratorios.

- Una bandeja para cables
- Un brazo para tendido de cables
- Un dispositivo de retención del brazo para tendido de cables
- Un cable de indicador de estado (si procede)
- Ocho tornillos Phillips con arandela 10-32 x 0,5 pulgadas



NOTA: los tornillos no métricos que se describen en las ilustraciones y en los procedimientos se identifican por el tamaño y el número de roscas por pulgada. Por ejemplo, un tornillo Phillips del n° 10 con 32 roscas por pulgada se identifica como un tornillo 10-32.

Figura 1-1. Contenido del kit de rack



- | | | | | | |
|---|--------------------------------------|---|--|---|--|
| 1 | Rieles de montaje | 2 | Tornillos Phillips con arandela
10-32 x 0,5 pulgadas (8)
(sólo VersaRails) | 3 | Cable de indicador de estado
(si procede) |
| 4 | Bandeja para cables
y abrazaderas | 5 | Brazo para tendido de cables | 6 | Dispositivo de retención del
brazo para tendido de cables |

Extracción de las puertas del rack

Para extraer las puertas, consulte los procedimientos correspondientes en la documentación suministrada con el armario rack.

⚠ PRECAUCIÓN: debido al tamaño y el peso de las puertas del armario rack, nunca debe intentar montarlas ni desmontarlas una sola persona.


⚠ PRECAUCIÓN: guarde las dos puertas en un lugar donde, en caso de caer accidentalmente, no puedan lesionar a nadie.

Marcado del rack

Para un sistema 5-U, debe asignar 5 U (22 cm) de espacio vertical para cada sistema que instale en el rack (vea la figura 1-2).

Los armarios rack que cumplen los estándares EIA-310 tienen un patrón alterno de tres orificios por unidad de rack con un espacio entre orificios de centro a centro (empezando por el orificio superior de un espacio 1-U) de 15,9 mm, 15,9 mm y 12,7 mm para los rieles verticales frontal y posterior (vea la figura 1-2).

Los armarios rack pueden tener orificios redondos o cuadrados.

 **NOTA:** los rieles verticales se pueden marcar con líneas horizontales y números en incrementos de 1-U. Si lo desea, puede anotar en un papel las marcas numéricas del riel vertical del rack. No es necesario marcar el rack con rotulador ni con cinta adhesiva.


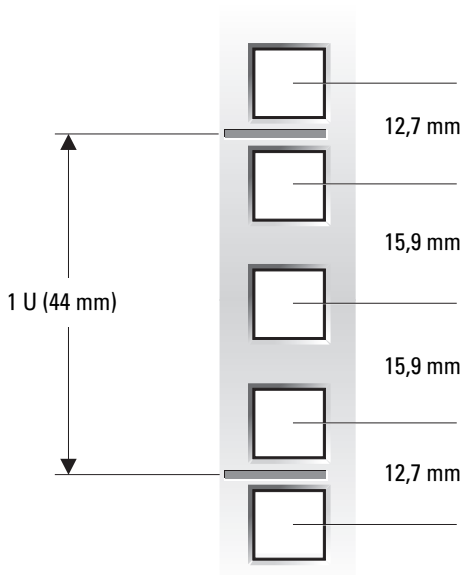

 **NOTA:** en caso de que el rack ya esté marcado, no es necesario realizar este procedimiento.

Figura 1-2. Una unidad de rack



 **PRECAUCIÓN:** si va a instalar más de un sistema, instale los ensamblajes de rieles deslizantes de modo que el primer sistema quede instalado en la posición más baja disponible en el rack.

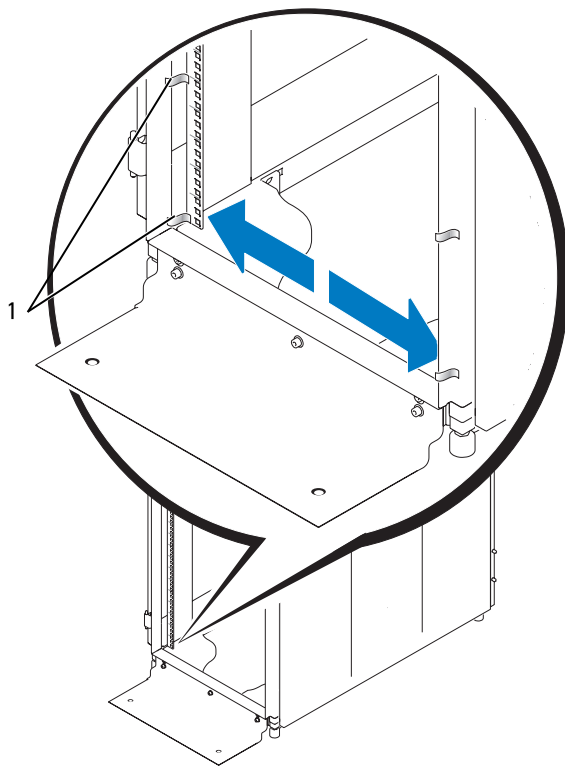
Para marcar el rack, realice los pasos siguientes:

- 1 En los rieles verticales frontales del rack, marque el punto donde desea colocar la parte inferior del sistema que está instalando en el armario rack.

La parte inferior de cada espacio 1-U se encuentra en el centro de la zona metálica más estrecha entre orificios (marcados con una línea horizontal en algunos armarios rack; vea la figura 1-3).

- 2 Coloque una marca aproximadamente 22,23 cm por encima de la marca original que ha realizado (o cuente hasta 15 orificios en un rack que cumpla los estándares EIA-310) y marque los rieles verticales frontales del rack con un rotulador de punta de fieltro o cinta adhesiva (si ha contado orificios, coloque una marca encima del orificio superior). Esta marca o trozo de cinta indica dónde se va a situar el borde superior del sistema en los rieles verticales (vea la figura 1-3).

Figura 1-3. Marcado de los rieles verticales



1 Cinta en el riel vertical

Configuración de los ensamblajes de rieles deslizantes

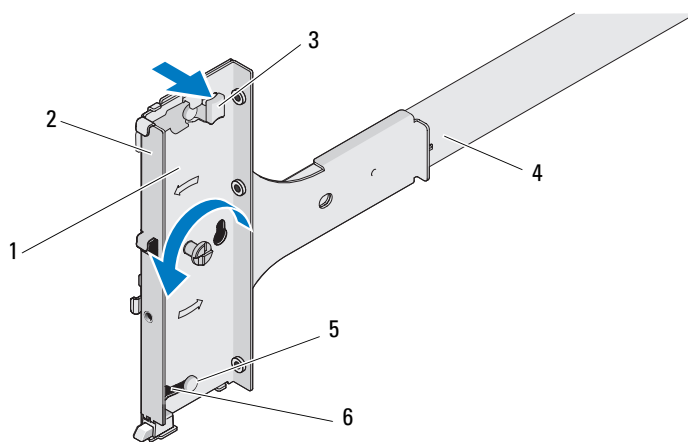
Los soportes de montaje giratorios de los rieles de montaje permiten realizar su configuración como RapidRails o VersaRails. La superficie de montaje del soporte en la configuración RapidRails contiene dos ganchos y un pulsador (vea la figura 1-5). La superficie de montaje del soporte de la configuración VersaRail contiene tres orificios (vea la figura 1-6).

NOTA: el kit de rack se suministra con los ensamblajes de rieles deslizantes en la configuración RapidRails.

Para girar el soporte de montaje y cambiar los rieles de montaje de RapidRails a VersaRails (vea la figura 1-4):

- 1 Levante la palanca de liberación del soporte de montaje giratorio.
- 2 Gire el soporte y levántelo para sacarlo de los dos topes.
- 3 Continúe girando el soporte 180 grados hasta que pueda volver a colocar las muescas sobre los topes.
- 4 Gire el soporte en la dirección contraria sobre los topes hasta que el soporte encaje en su sitio.

Figura 1-4. Giro del soporte de montaje



- | | | | | | |
|---|------------------------------|---|--|---|-----------------------|
| 1 | Soporte de montaje giratorio | 2 | Superficie de montaje del soporte (versión RapidRails) | 3 | Palanca de liberación |
| 4 | Rieles de montaje | 5 | Topes | 6 | Muesca |

Instalación de los rieles de montaje en el rack

Instalación de RapidRails



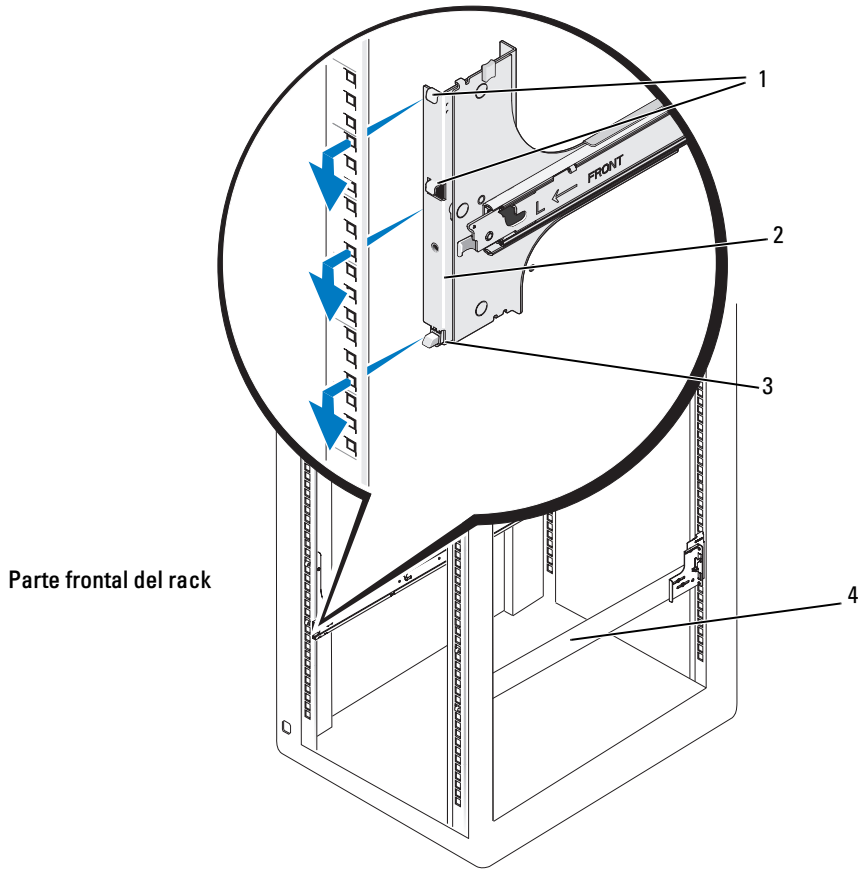
NOTA: asegúrese de que los soportes de montaje giratorios de los rieles de montaje se encuentran en la configuración RapidRail como se muestra en la figura 1-5.

- 1 En la parte frontal del armario rack, coloque uno de los rieles de montaje de modo que la superficie quede situada entre las marcas o las posiciones numeradas de los rieles verticales (consulte “Marcado del rack” en la página 96).
- 2 Coloque el gancho de montaje superior en el orificio cuadrado de debajo de la marca superior del riel vertical y coloque el siguiente gancho de montaje en el orificio cuadrado correspondiente del riel vertical (vea la figura 1-5).
- 3 Empuje hacia abajo la superficie para fijar la parte frontal del RapidRail al riel vertical. El pulsador de la parte inferior de la superficie de montaje encajará el orificio cuadrado correspondiente en el riel vertical (vea la figura 1-5).
- 4 En la parte posterior del armario, coloque los ganchos de montaje en los orificios cuadrados correspondientes de la parte posterior del riel vertical y empuje hacia abajo la superficie hasta que los ganchos de montaje y el pulsador queden encajados en su sitio.
- 5 Repita los pasos del 1 al 4 para los rieles de montaje del otro lado del rack.



NOTA: asegúrese de que los rieles de montaje estén montados en la misma posición vertical en ambos lados del rack.

Figura 1-5. Instalación de RapidRails



- 1 Ganchos de montaje 2 Superficie de montaje del soporte 3 Pulsador
- 4 Rieles de montaje

Instalación de VersaRails

NOTA: asegúrese de que los soportes de montaje giratorios de los rieles de montaje se encuentran en la configuración VersaRail como se muestra en la figura 1-6. Consulte “Configuración de los ensamblajes de rieles deslizantes” en la página 98.

- 1 En la parte frontal del armario rack, coloque uno de los rieles de montaje de modo que la superficie quede situada entre las marcas o las posiciones numeradas de los rieles verticales (consulte “Marcado del rack” en la página 96).
- 2 Coloque los tornillos Phillips con arandela 10-32 x 0,5 pulgadas en los orificios superior e inferior de la superficie de montaje (vea la figura 1-6).

- 3 En la parte posterior del armario, tire hacia atrás de la superficie de montaje del soporte hasta que los orificios de montaje queden alineados con los orificios correspondientes del riel vertical posterior.
- 4 Coloque los tornillos Phillips con arandela 10-32 x 0,5 pulgadas en los orificios superior e inferior de la superficie de montaje posterior para fijar el riel de montaje al riel vertical posterior.
- 5 Repita los pasos del 1 al 4 para el riel de montaje del otro lado del rack.


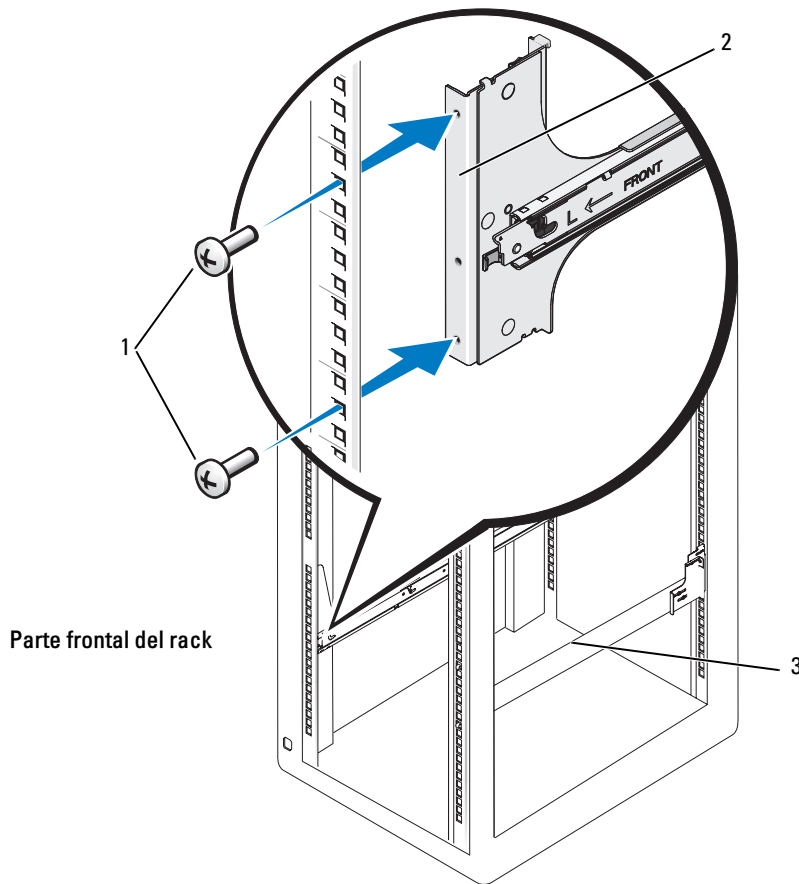
 **NOTA:** asegúrese de que los rieles de montaje estén montados en la misma posición vertical en ambos lados del rack.

Figura 1-6. Instalación de VersaRails



- 1 Tornillos Phillips con arandela 2 Superficie de montaje del soporte 3 Rieles de montaje

Instalación del sistema en el rack

⚠ PRECAUCIÓN: si va a instalar más de un sistema, instale el primero en la posición más baja disponible en el rack.

⚠ PRECAUCIÓN: debido al tamaño y el peso del sistema, no intente nunca instalarlo en los rieles de montaje usted solo.

⚠ PRECAUCIÓN: no extraiga del rack más de un sistema a la vez.

1 Tire de los dos conjuntos deslizantes internos hacia fuera del rack hasta que queden totalmente extendidos.

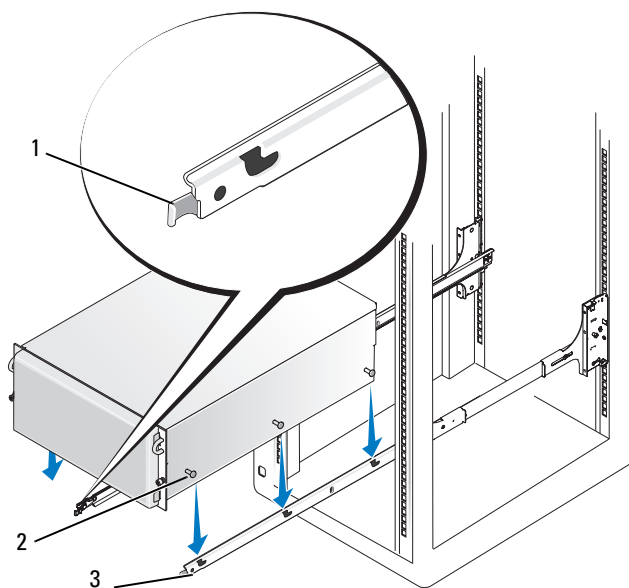
2 Levante el sistema hasta su posición por encima de los conjuntos deslizantes.

Para ello necesitará la ayuda de otra persona como mínimo; cada persona debe colocar una mano en la parte inferior frontal del sistema y la otra en la parte inferior posterior.

Los tres tornillos de pivote de cada lado del sistema encajan en las ranuras J correspondientes de los ensamblajes deslizantes internos (vea la figura 1-7).

3 Baje la parte posterior del sistema alineando los tornillos de pivote posteriores situados en los lados del sistema con las ranuras J posteriores de los conjuntos deslizantes.

Figura 1-7. Instalación del sistema en el rack





1 Mecanismo de bloqueo del sistema 2 Tornillos de pivote 3 Ranuras J


- 4 Coloque los tornillos de pivote posteriores en sus respectivas ranuras J.
- 5 Baje la parte frontal del sistema y encaje los tornillos de pivote centrales y frontales en sus respectivas ranuras J.
- 6 Inserte el sistema en los rieles de montaje hasta que el mecanismo de bloqueo del sistema emita un clic al encajar en su sitio, bloqueando así el ensamblaje deslizante.
- 7 Presione los pestillos de liberación del lado de los ensamblajes deslizantes e inserte el sistema en el rack.
- 8 Apriete los tornillos mariposa del panel frontal del sistema para fijar el sistema al rack.

Tendido de cables

Utilice la bandeja para cables y el brazo para tendido de cables para organizar los cables de E/S y de alimentación del sistema. Utilice las abrazaderas de la bandeja para cables para agrupar los cables. Utilice el brazo para tendido de cables para contener los cables pasándolos por los soportes para cables superior e inferior.

 **NOTA:** puede fijar el brazo para tendido de cables en cualquiera de los lados del armario rack. Si fija el brazo para tendido de cables al lado derecho del armario rack, podrá abrir los dos soportes para cables sin mover el brazo para tendido de cables. Si lo fija al lado izquierdo, deberá girar el brazo para tendido de cables para poder abrir los soportes para cables.

 **NOTA:** si fija el brazo para tendido de cables al lado izquierdo del rack, deberá desconectar el pestillo de liberación inferior del brazo para tendido de cables antes de extraer la fuente de alimentación.

 **NOTA:** fije el dispositivo de retención del brazo para tendido de cables en el lado en el que no haya fijado el brazo para tendido de cables.

Fijación de la bandeja para cables

Para fijar la bandeja para cables a la parte posterior del sistema:

- 1 Localice las ranuras de lengüeta en los bordes exteriores izquierdo y derecho del sistema, y las lengüetas metálicas correspondientes en los bordes izquierdo y derecho de la bandeja para cables (vea la figura 1-8).
- 2 Alinee las lengüetas metálicas de la bandeja para cables e insértelas en las ranuras de lengüeta del sistema para que la bandeja para cables encaje en su sitio.
- 3 Empuje hacia abajo y apriete el tornillo mariposa cautivo de la bandeja para cables para fijarla al sistema (vea la figura 1-8).

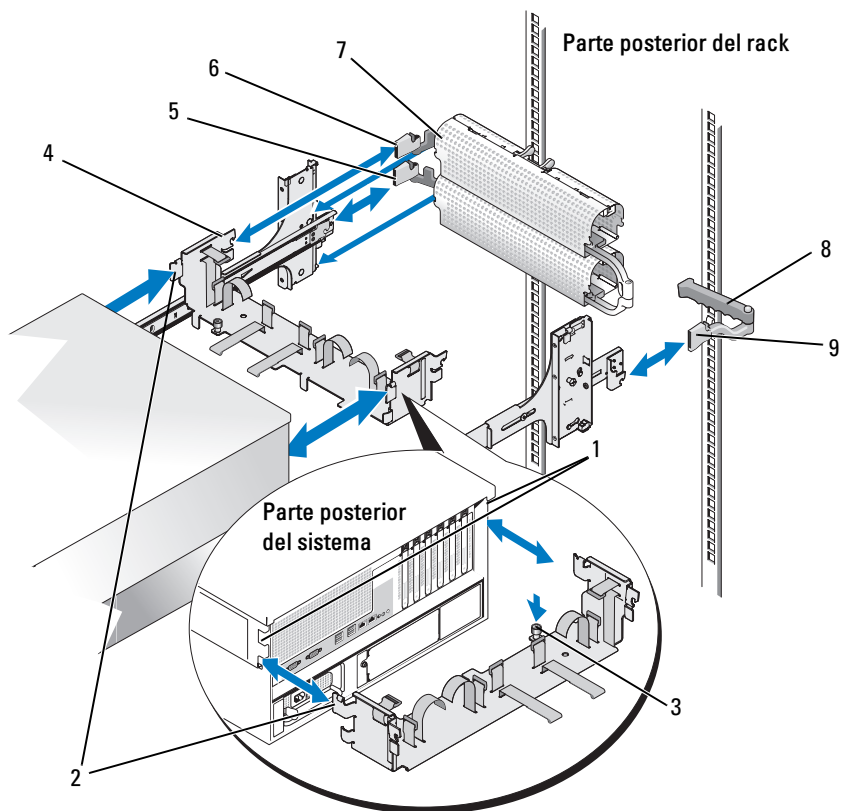
 **PRECAUCIÓN:** la bandeja para cables no puede soportar el peso del sistema. No agarre la bandeja para cables al levantar el sistema. Levante el sistema sólo por los bordes del chasis.

Fijación del brazo para tendido de cables

Para fijar el brazo para tendido de cables:

- 1 Conecte el pestillo de liberación superior del brazo para tendido de cables a la lengüeta de la bandeja para cables (vea la figura 1-8).
- 2 Conecte el pestillo de liberación inferior del brazo para tendido de cables a la lengüeta del ensamblaje deslizante externo (vea la figura 1-8).

Figura 1-8. Tendido de cables



- | | | | | | |
|---|--|---|--|---|--|
| 1 | Ranuras de lengüeta del sistema | 2 | Lengüetas metálicas (fijan la bandeja para cables al sistema) | 3 | Tornillo mariposa cautivo |
| 4 | Lengüetas metálicas (fijan la bandeja para cables al brazo para tendido de cables) | 5 | Pestillo de liberación inferior del brazo para tendido de cables | 6 | Pestillo de liberación superior del brazo para tendido de cables |
| 7 | Brazo para tendido de cables | 8 | Dispositivo de retención del brazo para tendido de cables | 9 | Pestillo de liberación del dispositivo de retención del brazo para tendido de cables |


Fijación del cable de indicador de estado del sistema

- 1 Si procede, fije el conector del cable de indicador de estado del sistema al panel posterior del sistema (vea la figura 1-9).
- 2 Abra los dos soportes del brazo para tendido de cables apretando los pestillos de liberación situados en cada soporte. Los soportes se abren para permitir pasar los cables por los brazos (vea la figura 1-9).
- 3 Pase el cable de indicador de estado del sistema por el soporte superior y luego por el soporte inferior del brazo para tendido de cables. Inserte el extremo LED del cable de indicador de estado del sistema en una de las ranuras de indicador del brazo para tendido de cables (vea la figura 1-9).


Cableado

- 1 Enchufe los conectores de cable de E/S y de cable de alimentación en sus conectores respectivos del panel posterior del sistema.


Para obtener más información sobre las conexiones de los cables, consulte la *Guía de introducción* y el *Manual del propietario del hardware*.

 **NOTA:** utilice los soportes de retención de cables (si los hay) situados en la parte posterior de las fuentes de alimentación para liberar la tensión de los cables de alimentación.

- 2 Agrupe todos los cables con las abrazaderas de la bandeja para cables (vea la figura 1-9).

 **NOTA:** para evitar que el brazo para tendido de cables se combe, es fundamental utilizar la abrazadera superior de la bandeja para cables que está en el mismo lado que el brazo para tendido de cables (vea la figura 1-9).

- 3 Si todavía no se han abierto desde la canalización del cable de indicador de estado del sistema, abra los dos soportes del brazo para tendido de cables apretando los pestillos de liberación de cada soporte. Los soportes se abren para permitir pasar los cables por los brazos (vea la figura 1-9).
- 4 Pase los cables por el soporte superior y luego por el soporte inferior del brazo para tendido de cables.

 **NOTA:** para una correcta instalación de los cables del sistema, pase los cables primero por el soporte superior y luego por el soporte inferior.

- 5 Cierre los soportes para cables.
- 6 Desenrosque los tornillos mariposa que fijan la parte frontal del sistema al riel vertical frontal.
- 7 Deslice el sistema dentro y fuera del rack para comprobar que los cables estén colocados correctamente y que no queden doblados, estirados o pinzados con el movimiento del brazo para tendido de cables. Ajuste los cables en el interior de los soportes del brazo para tendido de cables según sea necesario.


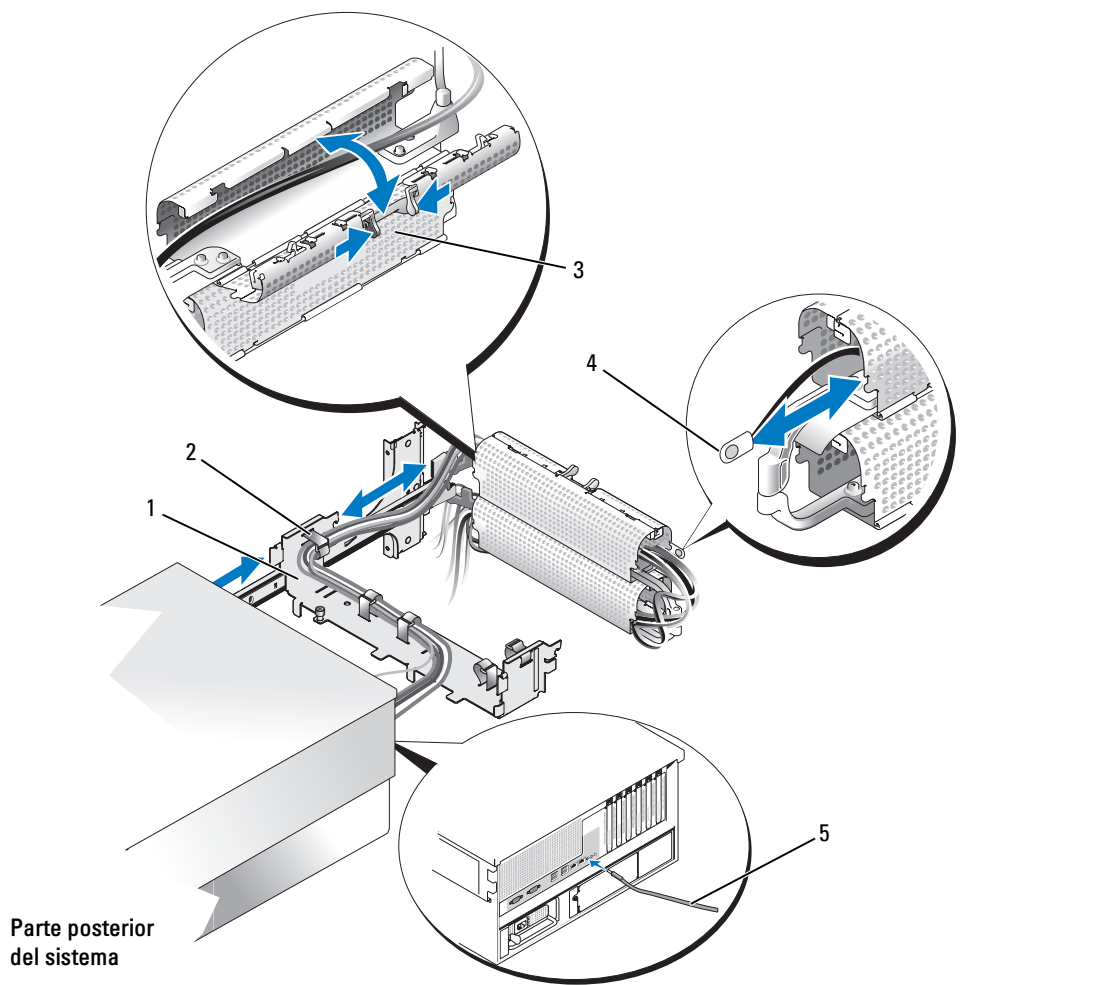
 **NOTA:** si extrae el sistema hasta la posición máxima, los rieles de montaje quedarán bloqueados en la posición extendida. Para desbloquearlos, presione el pestillo de liberación del lateral del ensamblaje deslizante y, a continuación, inserte el sistema en el rack.

Figura 1-9. Cableado



1 Bandeja para cables

2 Abrazaderas

3 Cubierta del soporte para cables


4 Indicador de estado del sistema

5 Enchufe del cable de indicador de estado del sistema

Fijación del dispositivo de retención del brazo para tendido de cables

El dispositivo de retención del brazo para tendido de cables fija el brazo para tendido de cables en su sitio. Para fijar el dispositivo de retención del brazo para tendido de cables:

- 1 Conecte el pestillo de liberación del dispositivo de retención del brazo para tendido de cables a la lengüeta del ensamblaje deslizante externo. Vea la figura 1-10.

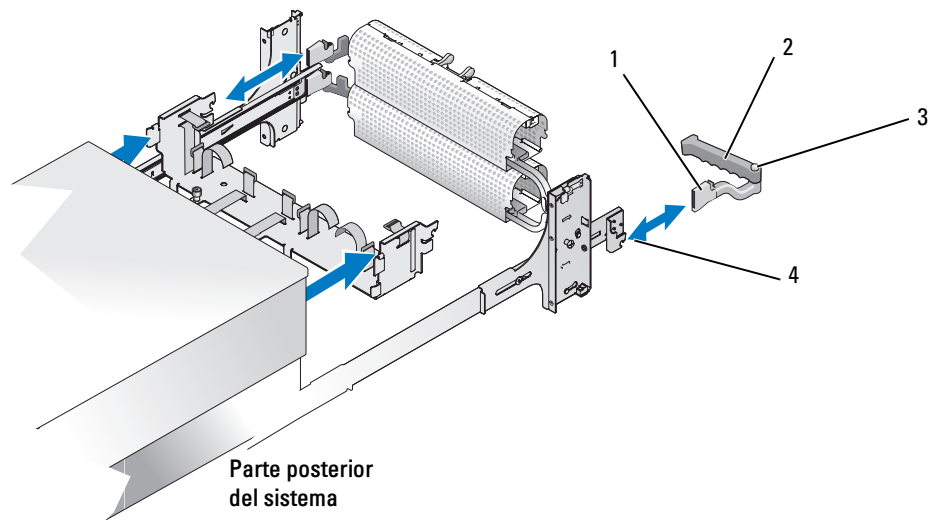
 **NOTA:** fije el dispositivo de retención del brazo para tendido de cables en el lado en el que no haya fijado el brazo para tendido de cables (vea la figura 1-10).

- 2 Doble el dispositivo de retención del brazo para tendido de cables hasta que encaje en su sitio detrás del brazo para tendido de cables.

Para desbloquear el dispositivo de retención del brazo para tendido de cables:

- 1 Presione el botón azul del dispositivo de retención del brazo para tendido de cables mientras levanta el brazo del dispositivo.
- 2 Gire el brazo del dispositivo de retención hasta la posición abierta.

Figura 1-10. Dispositivo de retención del brazo para tendido de cables



1 Pestillo de liberación del dispositivo de retención del brazo para tendido de cables

2 Dispositivo de retención del brazo para tendido de cables

3 Botón azul

4 Lengüeta metálica

Colocación de las puertas del rack

Consulte los procedimientos para colocar las puertas en la documentación suministrada con los armarios rack. El montaje del sistema en rack ha finalizado.

